

Dell™ PowerEdge™
M905, M805, M605, and M600

Getting Started With Your System

系统使用入门

はじめに

시스템시작하기

Dell™ PowerEdge™
M905, M805, M605, and M600

Getting Started With Your System



Notes, Notices, and Cautions



NOTE: A NOTE indicates important information that helps you make better use of your computer.



NOTICE: A NOTICE indicates either potential damage to hardware or loss of data and tells you how to avoid the problem.



CAUTION: A CAUTION indicates a potential for property damage, personal injury, or death.

Information in this document is subject to change without notice.

© 2008 Dell Inc. All rights reserved.

Reproduction in any manner whatsoever without the written permission of Dell Inc. is strictly forbidden.

Trademarks used in this text: *Dell*, the *DELL* logo, and *Dell OpenManage* are trademarks of Dell Inc.; *Microsoft*, *Windows*, and *Windows Server* are either trademarks or registered trademarks of Microsoft Corporation in the United States and/or other countries; *AMD* and *AMD Opteron* are trademarks of Advanced Micro Devices, Inc.; *Intel* and *Xeon* are registered trademarks of Intel Corporation; *SUSE* is a registered trademark of Novell, Inc.; *Red Hat* and *Enterprise Linux* are registered trademarks of Red Hat, Inc.; *VMware* is a registered trademarks of VMware, Inc. in the United States and/or other jurisdictions.

Other trademarks and trade names may be used in this document to refer to either the entities claiming the marks and names or their products. Dell Inc. disclaims any proprietary interest in trademarks and trade names other than its own.

Model BMX01

May 2008

P/N T550C

Rev. A00

System Features

This section describes the major hardware and software features of your system. It also provides information about other documents you may need when setting up your system and how to obtain technical assistance.

System Enclosure Features

The M1000e system enclosure (chassis) includes the following features:

Scalability Features

- Support for up to 16 half-height or 8 full-height blades (server modules).
- Support for three layers of I/O fabric, selectable between combinations of Ethernet, Infiniband, and Fibre Channel modules.

Up to six I/O modules may be installed in the enclosure, chosen from Fibre Channel switches, Fibre Channel passthroughs, Infiniband switches, Ethernet switches, and Ethernet passthrough modules.

Reliability Features

- Nine redundant, hot-pluggable system fan modules.
- Three 2360-watt, hot-pluggable power supplies and three power supply blanks, or six 2360-watt, hot-pluggable power supplies. (Three power supplies provide power to the system; adding three additional power supplies provides 3+3 redundancy.)



NOTICE: Power supplies can only connect to a power distribution unit (PDU). They cannot connect directly to an electrical outlet.




NOTICE: The system enclosure requires a 200-240V power source.

Systems Management Features


- A Chassis Management Controller (CMC), which provides several essential systems management features:
 - Enclosure-level power management and thermal management:
 - The CMC monitors system power requirements and supports the optional Dynamic Power Supply Engagement mode so that the CMC can enable or place power supplies in standby dynamically, depending on load and redundancy requirements, to improve power efficiency.
 - The CMC reports real-time power consumption.
 - The CMC supports an optional power ceiling, which will either trigger an alert or actions to keep the enclosure power consumption under the predefined ceiling.
 - The CMC monitors and controls cooling fans based on actual ambient and internal temperature measurements.
 - The CMC provides comprehensive enclosure inventory and status/error reporting.
 - The CMC allows centralized configuration of the following settings:
 - The CMC's network and security settings
 - Power redundancy and power ceiling settings
 - I/O switches and iDRAC network settings
 - First boot device on the blades
 - The CMC will check I/O fabric consistency between the I/O modules and blades and will disable system components if necessary to protect the system hardware.
 - User access security.
 - An SD card slot on the CMC card supports an optional persistent WWN/MAC feature that allows slot-based WWN/MACs for the blades, simplifying blade installation and replacement.

The CMC has two Ethernet ports. "Gb1" is used to connect to the external management network. "Stack" allows CMCs in adjacent enclosures to be daisy-chained. A 24-port Ethernet switch provides internal 100-Mb communication with the blades, I/O modules, optional iKVM, and optional second, redundant CMC, and provides a 10/100/1000-Mb connection to the external management network.


 **NOTE:** The 24-port Ethernet switch is reserved for internal communication between the iDRAC on the blades to the CMC, then to the external management network.

A second, optional CMC can be installed for hot-plug failover redundancy.

- An enclosure control panel that includes an LCD display which provides current infrastructure and blade information, and error reporting.
- An optional Avocent integrated Keyboard, Video and Mouse (iKVM) module, which includes the following features:
 - The iKVM maintains all blade connections as input is switched from each blade.
 - Local iKVM access can be remotely disabled on a per blade basis via the iDRAC user interface.
 - One VGA connector.
 - Two USB ports for keyboard and mouse connections.

 **NOTE:** USB functionality is contingent on the connection of a video interface, such as a monitor cable.

- An RJ-45 ACI port for tiering with external Dell and Avocent analog KVM and KVM over IP switches with ARI ports. The ACI connection takes precedence over the rear panel KVM ports.
- The iKVM can also be accessed from the control panel in the front of the enclosure. Either front or rear KVM functionality is supported (simultaneous functionality is not supported).

 **NOTE:** The front iKVM is enabled by default if contention exists between the front and rear iKVM ports. Front iKVM access can be disabled via the CMC user interface.

Blade Features

Performance Features

PowerEdge M905

- Four AMD™ Opteron™ 8000 Series dual-core or quad-core processors.
- A minimum of 8 GB of 677 MHz DDR2 memory modules, upgradable to a maximum of 192 GB by installing pairs of 1-GB, 2-GB, 4-GB, or 8-GB modules in the 24 memory module sockets on the blade system board. The blade also supports memory sparing if eight or sixteen memory module sockets are populated with identical memory modules.
- An SD (Secure Digital) card slot for embedded Hypervisor support.

PowerEdge M805

- Two AMD Opteron 2000 Series dual-core or quad-core processors.
- A minimum of 4 GB of 677 MHz DDR2 memory modules, upgradable to a maximum of 128 GB by installing pairs of 1-GB, 2-GB, 4-GB, or 8-GB modules in the 16 memory module sockets on the blade system board. The blade also supports memory sparing if eight or sixteen memory module sockets are populated with identical memory modules.
- An SD card slot for embedded Hypervisor support.

PowerEdge M600

- One or two Intel® Xeon® dual-core or quad-core processors
- A minimum of 1 GB of 677-MHz FBD memory modules, upgradable to a maximum of 64 GB by installing pairs of 512-MB, 1-GB, 2-GB, 4-GB, or 8-GB modules in the eight memory module sockets on the blade system board. The blade also supports memory sparing or memory mirroring if all eight memory module sockets are populated with identical memory modules.

PowerEdge M605

- One or two AMD Opteron 2000 Series dual-core or quad-core processors.
- A minimum of 1 GB of 677-MHz or 800-MHz DDR2 memory modules, upgradable to a maximum of 64 GB by installing pairs of 512-MB, 1-GB, 2-GB, 4-GB, or 8-GB modules in the eight memory module sockets on the blade system board. The blade also supports memory sparing.

Common Features

- The PowerEdge M805 and M905 blades support one or two 2.5 inch SAS hard drives.
- The PowerEdge M600 and M605 blades support one or two 2.5-inch SATA hard drives, *or* one or two 2.5 inch SAS hard drives.



NOTE: SAS and SATA hard drives cannot be mixed within a blade.

Hot-plug drive operation is supported if an optional RAID controller card is installed in the blade.

- Three USB 2.0-compliant ports (PowerEdge M805 and M905) or two USB 2.0-compliant ports (PowerEdge M605 and M600) support devices such as a mouse, keyboard, flash drive, diskette drive, or an optical drive.



NOTE: Only Dell-supplied USB devices are supported.

- An integrated VGA-compatible video subsystem with an ATI RN50 video controller. This video subsystem contains 32 MB of SDRAM video memory (nonupgradable). Maximum resolution is 1280 x 1024 x 65,000 colors (noninterlaced).
- An Integrated Dell Remote Access Controller (iDRAC), which provides remote system management, blade-level power management, virtual KVM and virtual media support, remote alerting and event logging.
- Four 1-GB Ethernet ports supported by two integrated dual-port Broadcom 5709S controllers (PowerEdge M805 and M905), or two 1-GB Ethernet ports supported by two integrated Broadcom 5708S controllers (PowerEdge M600 and M605). TCP/IP Offload Engine (TOE) and iSCSI boot are supported.

For a complete list of system features, see "Technical Specifications" on page 15.

The following software is included with your system:

- A System Setup program for quickly viewing and changing system configuration information. For more information on this program, see "Using the System Setup Program" in your *Hardware Owner's Manual*.
- Enhanced security features, including a system password and a setup password, available through the System Setup program.
- System diagnostics for evaluating system components and devices. For information about the system diagnostics, see "Running the System Diagnostics" in your *Hardware Owner's Manual*.
- Video drivers for displaying many popular application programs in high-resolution modes.
- Systems management software and documentation. Systems management software is used to manage and monitor each individual blade as well as the system as a whole, including all of the blades, network switch modules, power supplies, and fans. Systems management software manages the system locally and remotely on a network. Dell recommends that you use the systems management software provided with this system.
- Optional solutions software for Web hosting, caching, or load balancing. See your solutions software documentation for more information.

Supported Operating Systems


- Microsoft® Windows Server™ 2003, Web, Standard and Enterprise (32-bit x86) Editions with SP2
- Microsoft Windows Server 2003, Standard, Enterprise, and DataCenter (x64) Editions SP1, SP2
- Microsoft Windows Server 2003 R2 Standard and Enterprise (32-bit x86) Editions with SP1, SP2
- Microsoft Windows Server 2003 R2 Standard, Enterprise, and DataCenter (x64) Editions with SP1, SP2
- Microsoft Windows Server 2008, Standard Edition with SP1, SP2, DataCenter, and EM64T
- Red Hat® Enterprise Linux® AS, ES, and WS (version 4) and EM64T
- Red Hat Enterprise Linux AS and ES (version 4) (ia32)

- Red Hat Enterprise Linux Server AS and ES (version 5) (ia32)
- Red Hat Enterprise Linux Server AS, ES, and WS (version 5) and EM64T
- SUSE® Linux Enterprise Server 9 (x86_64) with SP3 and EM64T
- SUSE Linux Enterprise Server 10 (x86_64) and EM64T
- VMWare® ESX 3.1
- VMWare ESX 3.5

Other Information You May Need

 **CAUTION: See the safety and regulatory information that shipped with your system. Warranty information may be included within this document or as a separate document.**

- The *Configuration Guide* provides information on configuring the system enclosure and the blades.
- The *Rack Installation Guide* or *Rack Installation Instructions* included with your rack solution describes how to install your system into a rack.
- The *Hardware Owner's Manual* provides information about system features and describes how to troubleshoot the system and install or replace system components. This document may be found on the CDs that came with your system or at support.dell.com.
- The *Dell Chassis Management Controller User's Guide* provides detailed information on using the remote management features of the system.
- CDs or DVDs included with your system provide documentation and tools for configuring and managing your system.
- Systems management software documentation describes the features, requirements, installation, and basic operation of the software.
- Operating system documentation describes how to install (if necessary), configure, and use the operating system software.
- Documentation for any components you purchased separately provides information to configure and install these options.


- Updates are sometimes included with the system to describe changes to the system, software, and/or documentation.
 -  **NOTE:** Always check for updates on support.dell.com and read the updates first because they often supersede information in other documents.
- Release notes or readme files may be included to provide last-minute updates to the system or documentation or advanced technical reference material intended for experienced users or technicians.

Obtaining Technical Assistance

If you do not understand a procedure in this guide or if the system does not perform as expected, see your *Hardware Owner's Manual*.

Dell Enterprise Training and Certification is available; see dell.com/training for more information. This service may not be offered in all locations.

Installation and Configuration

 **CAUTION:** Before performing the following procedure, read and follow the safety instructions and important regulatory information that shipped with your system. For additional safety best practices information, see www.dell.com/regulatory_compliance.

This section describes the steps required to set up your system for the first time.

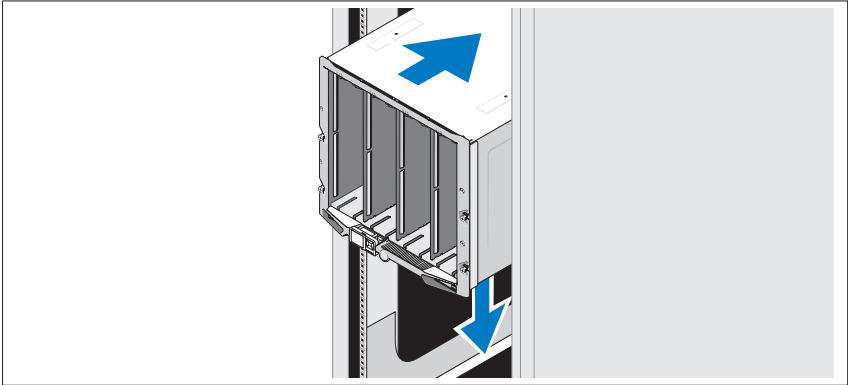
Unpack the System

Unpack your system and identify each item. Keep all shipping materials in case you need them later.

Install the System in a Rack

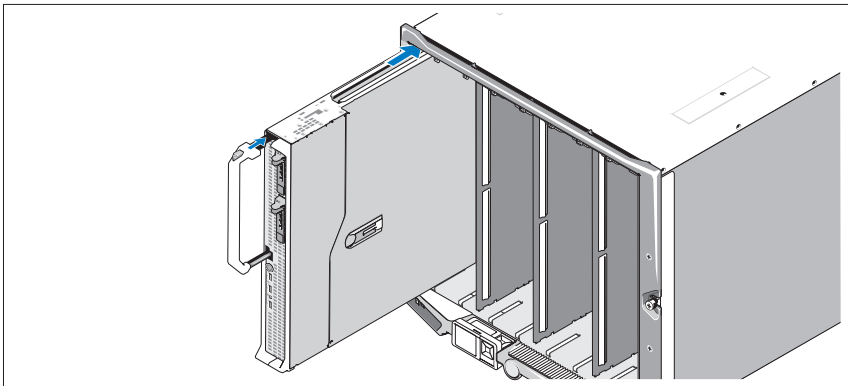
Install the system in the rack once you have read the "Safety Instructions" located in the rack installation documentation for your system.

See your rack installation documentation for instructions on installing your system in a rack. For power and cooling guidelines, see the rack capacity planner tool on www.dell.com.



Install the Blades

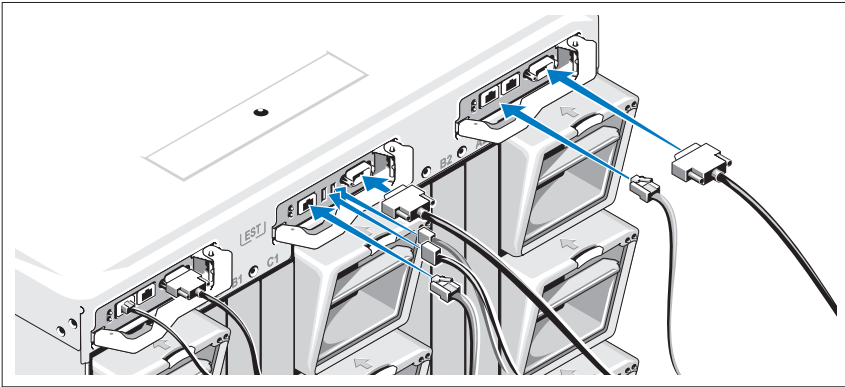
Beginning at the top, slide the modules into the enclosure from left to right. When the blade is securely installed, the handle returns to the closed position.



Connect the CMC and KVM Modules

Connect the serial cable and network cable from the management system to the CMC module. If a second, optional CMC module is installed, connect it as well. (If your chassis was shipped with M805 or M905 blades pre-installed, the included CMC firmware will be version 1.2 or greater.)

Connect the keyboard, mouse, and monitor to the optional iKVM module.

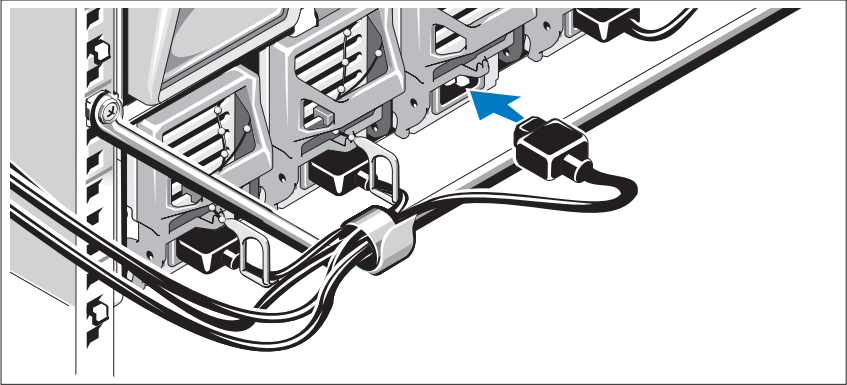


Connect the System to Power

Connect the system's power cables to the system power supplies.

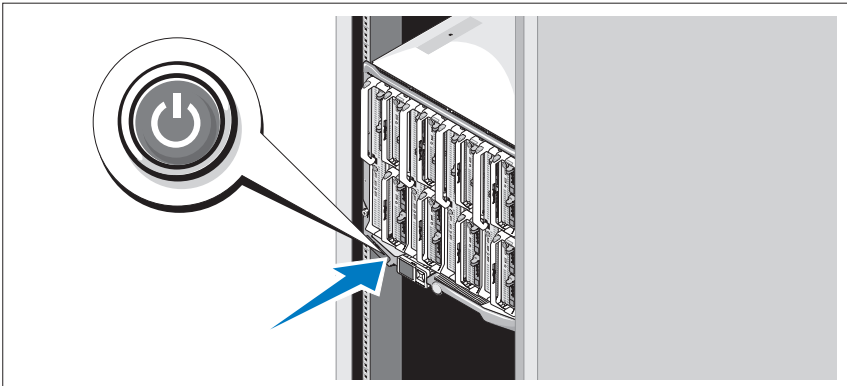
➔ NOTICE: To prevent the power cables from being disconnected accidentally, use the plastic clip on each power supply to secure the power cable to the power supply, and use the Velcro strap to secure the cable to the strain-relief bar.

Next, plug the other end of the power cables into a separate power source such as an uninterruptible power supply (UPS) or a power distribution unit (PDU).



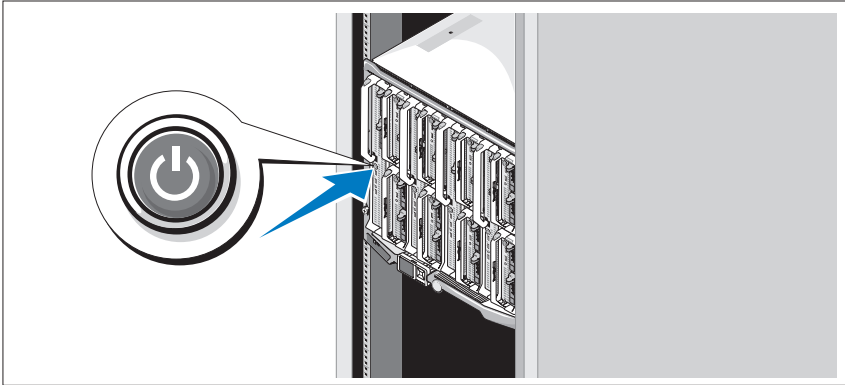
Turn on the System

Press the power button on the enclosure. The power indicator should light.



Turn on the Blades

Press the power button on each blade, or power on the blades using the systems management software.



Complete the Operating System Setup

If you purchased a preinstalled operating system, see the operating system documentation that ships with your system. To install an operating system for the first time, see the [Quick Installation Guide](#). Be sure the operating system is installed before installing hardware or software not purchased with the system.

Technical Specifications

Blade Specifications

Processor

Processor type

PowerEdge M905	Four dual-core or quad-core AMD Opteron 8000 Series processors
PowerEdge M805	Two dual-core or quad-core AMD Opteron 2000 Series processors
PowerEdge M600	One or two dual-core or quad-core Intel Xeon processors
PowerEdge M605	One or two dual-core or quad-core AMD Opteron 2000 Series processors

Memory

Architecture

PowerEdge M600	FBD memory modules, rated for 677-MHz operation
PowerEdge M905, M805, M605	DDR2 memory modules, rated for 677-MHz operation

Memory module sockets

PowerEdge M905	24 240-pin sockets
PowerEdge M805	16 240-pin sockets
PowerEdge M605, M600	Eight 240-pin sockets

Memory module capacities

512 MB (PowerEdge M605 and M600), 1 GB, 2 GB, 4 GB, or 8 GB

Minimum RAM

Two memory modules per processor

PowerEdge M905	8 GB (Eight 1-GB memory modules)
PowerEdge M805	4 GB (Four 1-GB memory modules)
PowerEdge M600, M605	1 GB (two 512-MB memory modules)

Memory (continued)

Maximum RAM

PowerEdge M905	192 GB
PowerEdge M805	128 GB
PowerEdge M600, M605	64 GB

Drives

Hard Drives

PowerEdge M805, M905	One or two 2.5-inch SAS hard drives
PowerEdge M600, M605	
SATA configuration	One or two 2.5-inch SATA hard drives
SAS configuration	One or two 2.5-inch SAS hard drives

NOTE: SAS and SATA hard drives cannot be mixed within a M600 or M605 blade.

Connectors

External

USB

PowerEdge M805, M905	Three 4-pin, USB 2.0 compliant
PowerEdge M600, M605	Two 4-pin, USB 2.0 compliant

Internal

SD Card (PowerEdge M805, M905)	One SD card connector
--------------------------------	-----------------------

Ethernet Controllers

Chipset

PowerEdge M805, M905	Four Ethernet ports with TOE and iSCSI boot support, provided by two integrated dual-port Broadcom 5709S Ethernet controllers
PowerEdge M600, M605	Two Ethernet ports with TOE and iSCSI boot support, provided by two integrated Broadcom 5708S controllers

Video Controller

Video type	ATI RN50 video controller
Video memory	32 MB

Physical

PowerEdge M905, M805

Height	38.5cm (15.2 in)
Width	5 cm (2 in)
Depth	48.6 cm (19.2 in)
Weight (maximum configuration)	11.1 kg (24.5 lb)

PowerEdge M605, M600

Height	18.9 cm (7.4 in)
Width	5 cm (2 in)
Depth	48.6 cm (19.2 in)
Weight (maximum configuration)	5.2-6.4 kg (11.5-14.0 lb)

Battery

Blade battery	CR 2032 3.0-V lithium ion coin cell
---------------	-------------------------------------

System Enclosure Specifications

Physical

Height	44.0 cm (17.3 in)
Width	44.7 cm (17.6 in)
Depth	75.5 cm (29.7 in)
Weight (maximum configuration)	178.3 kg (392.2 lb)
Weight (empty)	44.6 kg (98.1 lb)

Power Supply Module

AC/DC power supply (per power supply)

Wattage	2360 W
Connector	NEMA C20 receptacle
Heat dissipation	1205 BTU/hr. maximum
Maximum inrush current	Under typical line conditions and over the entire system ambient operating range, the inrush current may reach 55 A per power supply for 10 ms or less.
System Voltage Requirements	200 - 240V, 16A, 3-Phase, 50 /60Hz 200 - 240V, 40.5A, Single Phase, 50 /60Hz

Optional Avocent iKVM Module

Rear externally accessible connectors

USB	Two 4-pin, USB 2.0-compliant connectors for keyboard and mouse support
ACI port	RJ-45
Video	15-pin VGA

Chassis Management Controller Module

Externally accessible connectors

Remote management	Two dedicated 10/100/1000 Mb RJ-45 ports for integrated Ethernet remote access controller.
Serial	9-pin, DTE, 16550-compatible
Video	15-pin VGA
Battery	CR 2032 3.0-V lithium ion coin cell
SD Card	One dedicated internal SD (Secure Digital) flash card memory slot for FlexAddress support.

Enclosure Control Panel

Externally accessible connectors

USB

PowerEdge M905, M805

Three 4-pin, USB 2.0-compliant connectors for keyboard and mouse support

PowerEdge M605, M600

Two 4-pin, USB 2.0-compliant connectors for keyboard and mouse support

Video

15-pin VGA

Navigation Panel

Features

Four cursor-control keys, one select key, LCD screen

I/O Module Specifications

PowerConnect M6220 Ethernet Switch Module

Externally accessible connectors

10/100/1000 Mbps Ethernet

Four autonegotiating RJ-45 ports

Serial

One 4-pin, USB 2.0 type A connector. (Use provided USB type A to DB9 adapter to connect to terminal)

Optional Modules

Two option bays. Each bay supports a module with two 24-Gb stacking ports, two 10-Gb CX4 copper uplinks, or two 10-Gb optical XFPs.

Cisco M7000E Infiniband Switch Module

Externally accessible connectors

Eight DDR Infiniband uplink ports

Gb Ethernet Pass-Through Module

Externally accessible connectors

Sixteen RJ-45 Ethernet ports

Fibre Channel Pass-Through Module

Externally accessible connectors

Fibre Channel transceiver	Sixteen external SFP ports that support 1/2/4-Gbps FC speeds
---------------------------	--

Brocade Fibre Channel Switch Module

Externally accessible connectors

Fibre Channel	Eight physical FC ports (four enabled by default, upgradeable to eight) supporting 1/2/4-Gbps Fibre Channel connections
Serial Port	RJ-45

Environmental

NOTE: For additional information about environmental measurements for specific system configurations, see dell.com/environmental_datasheets. The system is not for use in an office environment.

Temperature

Operating	10° to 35°C (50° to 95°F) NOTE: Decrease the maximum temperature by 1°C (1.8°F) per 300 m (985 ft) above 900 m (2955 ft).
Storage	-40° to 65°C (-40° to 149°F)

Relative humidity

Operating	8% to 85% (noncondensing) with a maximum humidity gradation of 10% per hour
Storage	5% to 95% (noncondensing)

Maximum vibration

Operating	0.26 Grms at 10–350 Hz for 15 min
Storage	1.54 Grms at 10–250 Hz for 15 min

Environmental (continued)

Maximum shock

Operating	One shock pulse in the positive z axis of 31 G for up to 2.6 ms
Storage	
PowerEdge M905, M805	Six consecutively-executed shock pulses in the positive and negative x, y, and z axis of 71 G up to 2 ms
PowerEdge M605, M600	Six consecutively-executed shock pulses in the positive and negative x, y, and z axis of 71 G up to 2 ms

Altitude

Operating	-16 to 3,048 m (-50 to 10,000 ft)
Storage	-16 to 10,600 m (-50 to 35,000 ft)

Dell™ PowerEdge™

M905、M805、M605 和 M600

系统使用入门



注、注意和警告



注：“注”表示可以帮助您更好地使用计算机的重要信息。



注意：“注意”表示可能会损坏硬件或导致数据丢失，并告诉您如何避免此类问题。



警告：“警告”表示可能会导致财产损失、人身伤害甚至死亡。

本说明文件中的信息如有更改，恕不另行通知。

© 2008 Dell Inc. 版权所有，翻印必究。

未经 Dell Inc. 书面许可，严禁以任何形式进行复制。

本文中使用的商标：*Dell*、*DELL* 徽标以及 *Dell OpenManage* 均为 Dell Inc. 所有的商标；*Microsoft*、*Windows* 和 *Windows Server* 是 Microsoft Corporation 在美国和 / 或其他国家 / 地区的商标或注册商标；*AMD* 和 *AMD Opteron* 是 Advanced Micro Devices, Inc. 的商标；*Intel* 和 *Xeon* 是 Intel Corporation 的注册商标；*SUSE* 是 Novell, Inc. 的注册商标；*Red Hat* 和 *Enterprise Linux* 是 Red Hat, Inc. 的注册商标；*VMware* 是 VMware, Inc. 在美国和 / 或其他地区的注册商标。

本说明文件中提及的其它商标和产品名称是指拥有相应商标和产品名称的公司或其制造的产品。Dell Inc. 对本公司的商标和产品名称之外的其它商标和产品名称不拥有任何专有权。

型号 **BMX01**

2008 年 5 月

P/N T550C

Rev.A00

系统功能

本节介绍系统的主要硬件和软件功能。此外，还将介绍有关在安装系统时可能需要的其它说明文件的信息，以及如何获得技术帮助的信息。

系统机壳配置

M1000e 系统机壳（机箱）包括以下配置：

可扩展性配置

- 支持最多 16 个半高刀片或 8 个全高刀片（服务器模块）。
- 支持三层 I/O 结构，可在以太网、Infiniband 和光纤信道模块组合之间进行选择。

可在机壳中安装最多六个 I/O 模块，可从光纤信道交换机模块、光纤信道直通模块、Infiniband 交换机模块、以太网交换机模块和以太网直通模块中进行选择。

高可靠性配置

- 九个冗余热插拔系统风扇模块
- 三个 2360 瓦热插拔电源和三个电源挡片，或六个 2360 瓦热插拔电源。（三个电源设备为系统提供电源；添加的三个附加电源可提供 3+3 冗余。）



注意：只能将电源连接至配电装置 (PDU)，不能直接将其插入电源插座。



注意：系统机壳连接的电源应为 200-240V。


系统管理配置

- 机箱管理控制器 (CMC) 可提供多个基本管理配置：
 - 机壳整机电源管理和温度管理：
 - CMC 检测系统电源要求并支持可选的动态电源设备接合模式，因此 CMC 能根据负载和冗余要求动态地启用或安排待机状态的电源设备，提高电源效率。
 - CMC 会报告实时电源消耗。
 - CMC 支持可选的电源上限，该配置会触发警报或操作使机壳电源消耗始终小于预定义的上限。
 - CMC 根据实际环境温度和内部温度测量值检测和控制冷却风扇。

- CMC 提供全面的机壳清单和状态 / 错误报告。
- CMC 支持集中配置以下设置：
 - CMC 的网络和安全设置
 - 电源冗余和电源上限设置
 - I/O 交换机和 iDRAC 网络设置
 - 刀片上第一个引导设备的设置
- CMC 可检查 I/O 模块和刀片之间的 I/O 结构一致性，并在必要时禁用系统组件以保护系统硬件。
- 提供用户访问安全保护。
- 其上的 SD 卡插槽支持永久性 WWN/MAC 的选择功能，该功能允许刀片使用插槽式 WWN/MAC，以简化刀片的安装和更换。


CMC 有两个以太网端口。“Gb1”用于连接到外部管理网络。

“堆栈”端口允许与相邻机壳中的 CMC 进行菊花链式连接。24 端口的以太网交换机提供与刀片、I/O 模块、可选的 iKVM 以及可选的第二个冗余 CMC 之间的内部 100 Mb 通信，并提供到外部管理网络的 10/100/1000 Mb 连接。


 **注：**24 端口的以太网交换机是预留的，用于刀片上的 iDRAC 与 CMC 之间的内部通信，以及与外部管理网络的通信。

可安装第二个可选的 CMC 用于热插拔故障转移冗余。

- 机壳控制面板上有 LCD 显示屏，可提供当前的基础设施和刀片信息以及错误报告。
- 可选的 Avocent 集成键盘、视频和鼠标 (iKVM) 模块。具体包括以下配置：
 - 当在每个刀片之间切换输入时可以保持所有刀片连接的 iKVM 。
 - 可用于在每个刀片上远程禁用本地 iKVM 访问的 iDRAC 用户界面。
 - 一个 VGA 连接器。
 - 用于连接键盘和鼠标的两个 USB 端口。

 **注：**USB 功能随视频接口的连接（例如显示器电缆）而定。

- 用于与 Dell 和 Avocent 外部模拟 KVM 以及配有 ARI 端口的 KVM over IP 交换机层叠的 RJ-45 ACI 端口。ACI 连接优先于背面板 KVM 端口的连接。
- 也可从机壳正面的控制面板访问 iKVM。可支持正面或背面 KVM 功能，但不支持两种功能同时使用。

 **注：**如果正面和背面 iKVM 端口之间存在连接，则默认情况下启用正面 iKVM 端口。可通过 CMC 用户界面禁用正面 iKVM 访问。

刀片配置

性能配置

PowerEdge M905

- 四个 AMD™ Opteron™ 8000 系列的双核或四核处理器。
- 最低 8 GB、677 MHz 的 DDR2 内存模块，可通过在刀片系统板上的 24 个内存模块插槽中安装成对的 1-GB、2-GB、4-GB 或 8-GB 模块将其升级至最高 192 GB。如果八个或十六个内存模块插槽中安装的内存模块完全相同，则刀片还支持内存冗余功能。
- 支持嵌入式系统管理程序的 SD（安全数字）卡插槽。

PowerEdge M805

- 两个 AMD Opteron 2000 系列的双核或四核处理器。
- 最低 4 GB、677 MHz DDR2 内存模块，可通过在刀片系统板上的 16 个内存模块插槽中安装成对的 1-GB、2-GB、4-GB 或 8-GB 模块将其升级至最高 128 GB。如果八个或十六个内存模块插槽中安装的内存模块完全相同，则刀片还支持内存冗余功能。
- 支持嵌入式系统管理程序的 SD 卡插槽。

PowerEdge M600

- 一个或两个 Intel® Xeon® 双核或四核处理器。
- 最低 1 GB、677 MHz FBD 内存模块，可通过在刀片系统板上的 8 个内存模块插槽中安装成对的 512-MB、1-GB、2-GB、4-GB 或 8-GB 模块将其升级至最高 64 GB。如果八个内存模块插槽中安装的内存模块完全相同，则刀片还支持内存冗余或内存镜像功能。

PowerEdge M605

- 一个或两个 AMD Opteron 2000 系列双核或四核处理器。
- 最低 1 GB、677 MHz FBD 内存模块，可通过在刀片系统板上的 8 个内存模块插槽中安装成对的 512-MB、1-GB、2-GB、4-GB 或 8-GB 模块将其升级至最高 64 GB。刀片还支持内存冗余功能。

通用配置

- PowerEdge M805 和 M905 刀片支持一个或两个 2.5 英寸 SAS 硬盘驱动器。
- PowerEdge M600 和 M605 刀片支持一个或两个 2.5 英寸 SATA 硬盘驱动器，或者一个或两个 2.5 英寸 SAS 硬盘驱动器。



注：不能在刀片内混合使用 SAS 和 SATA 硬盘驱动器。

如果在刀片中安装了可选的 RAID 控制器卡，则可支持热插拔驱动器操作。

- 三个 USB 2.0 兼容端口（PowerEdge M805 和 M905）或两个 USB 2.0 兼容端口（PowerEdge M605 和 M600）支持鼠标、键盘、快擦写驱动器、软盘驱动器和光盘驱动器等设备。



注：仅支持 Dell 提供的 USB 设备。

- 集成 VGA 兼容视频子系统，配备有 ATI RN50 视频控制器。此视频子系统包含 32 MB 的 SDRAM 视频内存（不可升级）。最大分辨率为 1280 x 1024 x 65,000 色（逐行扫描）。
- 集成 Dell 远程访问控制器 (iDRAC)，可提供远程系统管理、刀片级电源管理、虚拟 KVM 和虚拟介质支持、远程报警和事件记录。
- 四个由两个集成双端口 Broadcom 5709S 控制器支持的 1 GB 以太网端口（PowerEdge M805 和 M905），或两个由两个集成的 Broadcom 5708S 控制器支持的 1 GB 以太网端口（PowerEdge M600 和 M605）。支持 TCP/IP 卸载引擎 (TOE) 以及 iSCSI 引导。

有关系统配置的完整列表，请参阅第 35 页上的“技术规格”。

您的系统附带以下软件：

- 系统设置程序，用于快速查看和更改系统配置信息。有关此程序的详情，请参阅《硬件用户手册》中的“使用系统设置程序”。
- 增强型安全保护功能，包括系统密码和设置密码，可通过系统设置程序进行设置。
- 系统诊断程序，用于评估系统组件和设备。有关使用系统诊断程序的信息，请参阅《硬件用户手册》中的“运行系统诊断程序”。
- 视频驱动程序，用于以高分辨率模式显示多种常见应用程序。
- 系统管理软件和说明文件。系统管理软件用于管理和监测各个刀片，以及从整体上管理和监测系统（包括所有刀片、网络交换机模块、电源和风扇）。系统管理软件可以在本地管理系统，也可以通过网络远程管理系统。Dell 建议您使用此系统附带的系统管理软件。
- 可选的解决方案软件，用于 Web 主机服务、高速缓存或负载均衡。有关详情，请参阅解决方案软件的说明文件。


支持的操作系统

- Microsoft® Windows Server® 2003 Web 版、标准版和企业版 (32 位 x8-6) (含 SP2)
- Windows Server 2003 标准版、企业版和 Datacenter (x64) 版 (含 SP1、SP2)
- Microsoft Windows Server 2003 R2 标准版和企业版 (含 SP1、SP2)
- Microsoft Windows Server 2003 R2 标准版、企业版和 Datacenter (x64) 版 (含 SP1、SP2)
- Microsoft Windows Server 2008 标准版 (含 SP1、SP2)、DataCenter 版和 EM64T 版
- Red Hat® Enterprise Linux® AS、ES 和 WS (第 4 版) 以及 EM64T
- Red Hat Enterprise Linux AS、ES 和 WS (第 4 版) (ia32)
- Red Hat Enterprise Linux Server AS 和 ES (第 5 版) (ia32)
- Red Hat Enterprise Linux Server AS、ES 和 WS (第 5 版) 以及 EM64T
- SUSE® Linux Enterprise Server 9 (x86_64)，装有 SP3 和 EM64T (x86_64)
- SUSE Linux Enterprise Server 10 (x86_64) 和 EM64T
- VMWare® ESX 3.1
- VMWare ESX 3.5

可能需要的其它信息



警告：查看系统附带的安全和管制信息。保修信息可能包括在该说明文件中，也可能作为单独的说明文件提供。

- 《配置指南》提供了有关配置系统机壳和刀片的信息。
- 您的机架解决方案附带的《机架安装指南》或《机架安装说明》介绍了如何将系统安装到机架中。
- 《硬件用户手册》提供了有关系统功能的信息，并说明了如何排除系统故障以及安装或更换系统组件。此说明文件可在随系统提供的 CD 中找到，或通过 support.dell.com 获得。
- *Dell Chassis Management Controller User's Guide*（Dell 机箱管理控制器用户指南）提供了使用系统远程管理功能的详细信息。
- 系统附带的 CD 或 DVD 提供了用于配置和管理系统的说明文件和工具。
- 系统管理软件说明文件介绍了软件的功能、要求、安装和基本操作。
- 操作系统说明文件介绍了如何安装（如果有必要）、配置和使用操作系统软件。
- 单独购买的任何组件所附带的说明文件提供了有关配置和安装这些选件的信息。
- 系统有时附带的更新，说明了对系统、软件和 / 或说明文件所做的更改。
 -  **注：**请经常访问 support.dell.com 以查看是否有更新，并先阅读更新信息，因为这些更新通常会取代其它说明文件中的信息。
- 系统可能附带的版本注释或自述文件，提供系统或说明文件的最新更新，或者为有经验的用户或技术人员提供高级技术参考资料。

获得技术帮助

如果您对本指南中的步骤有疑问，或系统运行无法达到预期效果，请参阅《硬件用户手册》。

Dell 可以提供企业培训与认证；有关详情，请访问 dell.com/training。此服务并非在所有国家和地区提供。

安装和配置

⚠ 警告： 在开始进行以下步骤之前，请阅读并遵循附随在系统中的安全说明和重要管制信息。有关更多的最佳安全实践信息，请浏览 www.dell.com/regulatory_compliance。

本节介绍初次安装系统时的步骤。

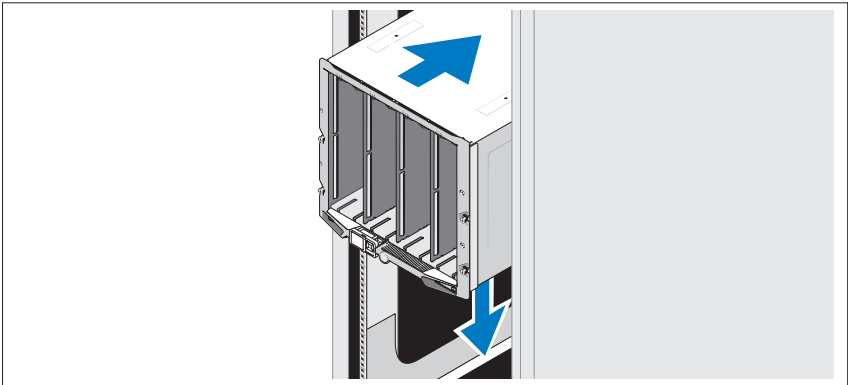
打开系统包装

打开系统包装并仔细查看每件物品。妥善保管所有运输包装材料，以备将来使用。

在机架中安装系统

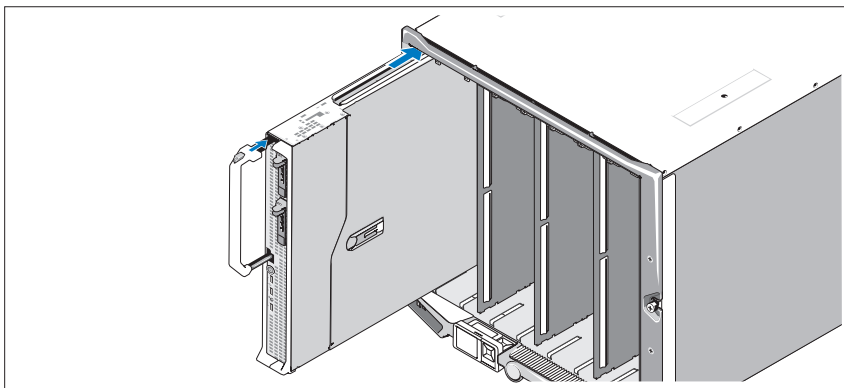
先仔细阅读系统机架安装说明文件中的“安全说明”，然后在机架中安装系统。

有关在机架中安装系统的说明，请参阅机架安装说明文件。有关电源和冷却说明，请浏览 www.dell.com 上的机架容量规划工具方面的信息。



安装刀片

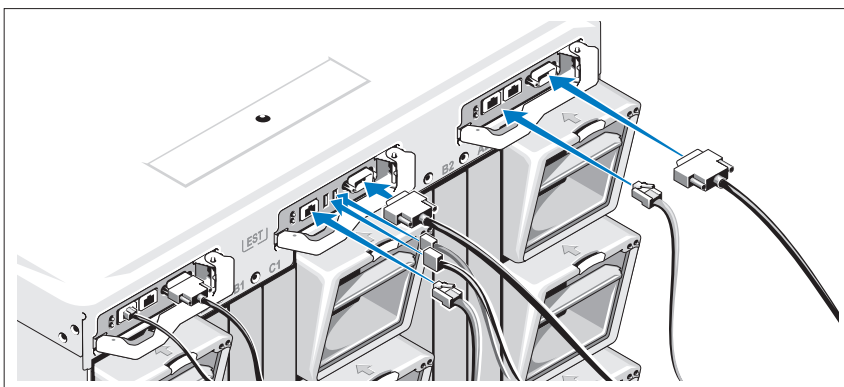
从上面开始，将模块从左到右滑入机壳中。稳固地安装好刀片后，手柄返回到关闭位置。



连接 CMC 和 KVM 模块

将串行电缆和网络电缆从管理系统连接到 CMC 模块。如果安装了第二个可选的 CMC 模块，也将其连接。（在已经预先安装好 M805 或 M905 刀片的机箱中，内含的 CMC 固件版本为 1.2 或更高。）

将键盘、鼠标和显示器连接到可选的 iKVM 模块。

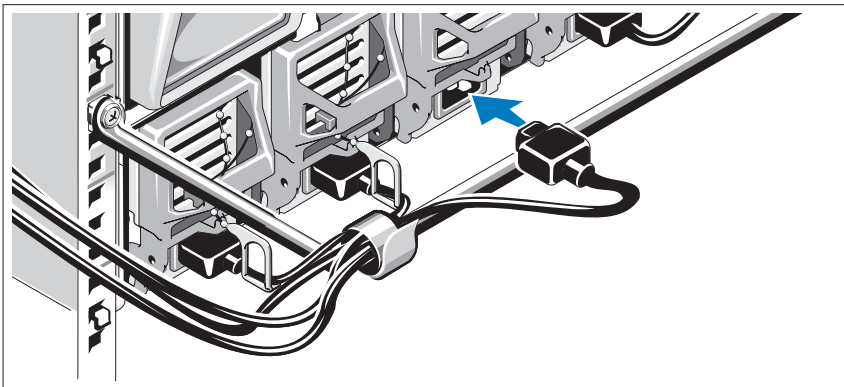


将系统连接到电源

将系统的电源电缆连接到系统电源上。

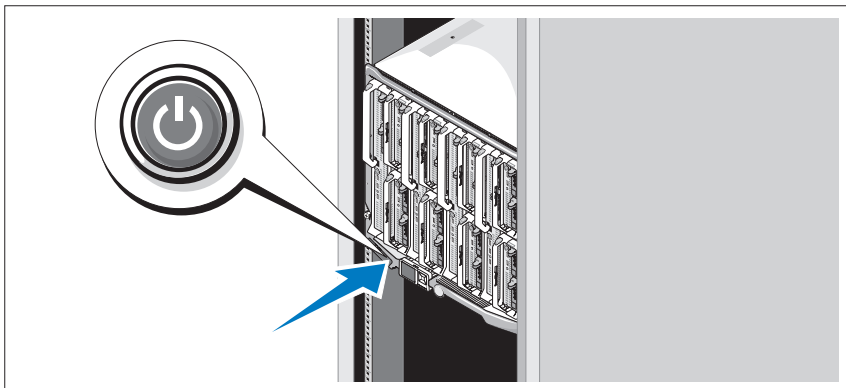
注意：为防止电源电缆意外断开连接，请在每个电源设备上使用塑料夹，以便将电源电缆固定在电源设备上，并使用 Velcro 带将电缆固定到张力释放杠上。

接着，将电缆的另一端插入单独的电源，如不间断电源设备 (UPS) 或配电装置 (PDU)。



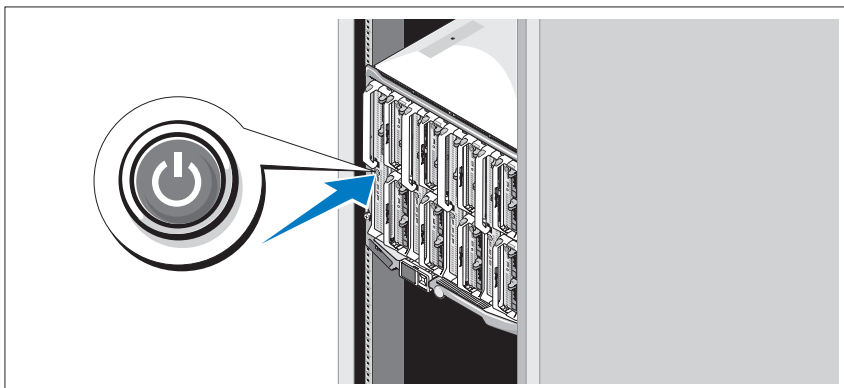
打开系统电源。

按下机壳上的电源按钮。电源指示灯将会亮起。



打开刀片

按下每个刀片上的电源按钮，或者使用系统管理软件打开刀片的电源。



完成操作系统安装

如果购买了预安装的操作系統，請參閱隨系統提供的操作系統說明文件。如果是初次安裝操作系統，請參閱《快速安裝指南》。請確保先安裝操作系統，然後再安裝並非隨系統購買的硬件或軟件。

技术规格

刀片规格

处理器

处理器类型

PowerEdge M905	四个双核或四核 AMD Opteron 8000 系列处理器
PowerEdge M805	两个双核或四核 AMD Opteron 2000 系列处理器
PowerEdge M600	一个或两个双核或四核 Intel Xeon 处理器
PowerEdge M605	一个或两个双核或四核 AMD Opteron 2000 系列处理器

内存

体系结构

PowerEdge M600	FBD 内存模块，额定运行速率为 677 MHz
PowerEdge M905、M805、M605	DDR2 内存模块，额定运行速率为 677 MHz

内存模块插槽

PowerEdge M905	二十四个 240 针插槽
PowerEdge M805	十六个 240 针插槽
PowerEdge M605、M600	八个 240 针插槽

内存模块容量

512 MB（PowerEdge M605 和 M600），
1 GB、2 GB、4 GB 或 8 GB

内存（续）

最小 RAM	每个处理器两个内存模块
PowerEdge M905	8 GB（八个 1 GB 内存模块）
PowerEdge M805	4 GB（四个 1 GB 内存模块）
PowerEdge M600、M605	1 GB（两个 512 MB 内存模块）
最大 RAM	
PowerEdge M905	192 GB
PowerEdge M805	128 GB
PowerEdge M600、M605	64 GB

驱动器

硬盘驱动器

PowerEdge M805、M905	一个或两个 2.5 英寸 SAS 硬盘驱动器
PowerEdge M600、M605	
SATA 配置	一个或两个 2.5 英寸 SATA 硬盘驱动器
SAS 配置	一个或两个 2.5 英寸 SAS 硬盘驱动器

注：在 M600 或 M605 刀片中不能混合使用 SAS 和 SATA 硬盘驱动器。

连接器

外部

USB

PowerEdge M805、M905	三个 4 针、USB 2.0 兼容连接器
PowerEdge M600、M605	两个 4 针、USB 2.0 兼容连接器

内部

SD 卡（PowerEdge M805、M905）	一个 SD 卡连接器
---------------------------	------------

以太网控制器

芯片集

PowerEdge M805、M905	支持 TOE 和 iSCSI 引导的四个以太网端口，位于两个集成的双端口 Broadcom 5709S 以太网控制器上
PowerEdge M600、M605	支持 TOE 和 iSCSI 引导的两个以太网端口，位于两个集成的 Broadcom 5708S 以太网控制器上

视频控制器

视频类型	ATI RN50 视频控制器
视频内存	32 MB

物理规格

PowerEdge M905、M805

高度	38.5 厘米（15.2 英寸）
宽度	5 厘米（2 英寸）
厚度	48.6 厘米（19.2 英寸）
重量（最大配置）	11.1 公斤（24.5 磅）

PowerEdge M605、M600

高度	18.9 厘米（7.4 英寸）
宽度	5 厘米（2 英寸）
厚度	48.6 厘米（19.2 英寸）
重量（最大配置）	5.2-6.4 公斤（11.5-14.0 磅）

电池

刀片电池	CR 2032 3.0 V 币形锂电池
------	---------------------

系统机壳规格

物理规格

高度	44.0 厘米 (17.3 英寸)
宽度	44.7 厘米 (17.6 英寸)
厚度	75.5 厘米 (29.7 英寸)
重量 (最大配置)	178.3 kg (392.2 磅)
重量 (空置)	44.6 kg (98.1 磅)

电源设备模块

交流 / 直流电源 (每个电源设备)

功率	2360 W
连接器	NEMA C20 插座
散热	1205 BTU/ 小时 最大值

最大涌入电流 在典型的线路条件下和整个系统环境运行范围内，每个电源设备在 10 毫秒或更短时间内的涌入电流可能达到 55 A。

系统电压要求	200 - 240V, 16A, 3 相, 50 /60Hz 200 - 240V, 40.5A, 单相, 50 /60Hz
--------	---

可选的 Avocent iKVM 模块

背面外部可抽换连接器

USB	支持键盘和鼠标的两个 4 针 USB 2.0 兼容连接器
ACI 端口	RJ-45
视频	15 针 VGA 连接器

机箱管理控制器模块

外部可抽换连接器

远程管理	两个专用 10/100/1000 Mb RJ-45 连接器，可用于集成的以太网远程访问控制器。
串行	9 针、DTE、16550 兼容连接器
视频	15 针 VGA 连接器
电池	CR 2032 3.0 V 币形锂电池
SD 卡	支持 FlexAddress 的一个专用内部 SD（安全数字）闪存卡内存插槽。

机壳控制面板

外部可抽换连接器

USB	
PowerEdge M905、M805	支持键盘和鼠标的三个 4 针 USB 2.0 兼容连接器
PowerEdge M605、M600	支持键盘和鼠标的两个 4 针 USB 2.0 兼容连接器
视频	15 针 VGA 连接器
导航面板	
功能	四个光标控制键、一个选择键、LCD 屏幕

I/O 模块规格

PowerConnect M6220 以太网交换机模块

外部可抽换连接器

10/100/1000 Mbps 以太网

四个自动协议 RJ-45 端口

串行

一个 4 针 USB 2.0 A 类连接器。（使用提供的 USB A 类转 DB9 适配器连接到终端）

可选的模块

两个可选的托架。每个托架可通过两个 24-Gb 堆栈端口、两个 10-Gb CX4 铜质上行链路或两个 10-Gb 光学 XFP 支持一个模块。

Cisco M7000E Infiniband 转换器模块

外部可抽换连接器

八个 DDR Infiniband 上行端口

千兆位以太网通道模块

外部可抽换连接器

十六个 RJ-45 以太网端口

光纤信道通道模块

外部可抽换连接器

光纤信道收发器

十六个外部 SFP 端口，支持 1/2/4 Gbps FC 速度

Brocade 光纤信道交换机

外部可抽换连接器

光纤信道

八个物理 FC 端口（默认情况下启用四个，可升级到八个），支持 1/2/4 Gbps 光纤信道连接

串行端口

RJ-45

环境参数

注：有关特定系统配置的环境测量值的其它信息，请参阅 dell.com/environmental_datasheets 此系统不适用于办公环境中使用。

温度

运行时 10° 至 35° C (50° 至 95° F)
注：在 900 米 (2955 英尺) 以上，每升高 300 米 (985 英尺) 最高温度下降 1° C (1.8° F)。

存储时 - 40° 至 65° C (- 40° 至 149° F)

相对湿度

运行时 8% 至 85% (非冷凝)，最大湿度变化梯度为每小时 10%

存储时 5% 至 95% (非冷凝)

最大振动

运行时 在 10 - 350 Hz、0.26 Grms 时，可持续 15 分钟

存储时 在 10 - 250 Hz、1.54 Grms 时，可持续 15 分钟

最大撞击

运行时 z 轴正方向上可承受一个 31 G 的撞击脉冲，最多可持续 2.6 毫秒

存储时

PowerEdge M905、M805 x、y 和 z 轴正负方向上可承受连续六个 71 G 的撞击脉冲，最多可持续 2 ms

PowerEdge M605、M600 x、y 和 z 轴正负方向上可承受连续六个 71 G 的撞击脉冲，最多可持续 2 毫秒

海拔高度

运行时 -16 至 3,048 米 (-50 至 10,000 英尺)

存储时 -16 至 10,600 米 (-50 至 35,000 英尺)

Dell™ PowerEdge™
M905、 M805、 M605、
および M600
はじめに



メモ、注意、警告



メモ：コンピュータを使いやすくするための重要な情報を説明しています。



注意：ハードウェアの損傷やデータの損失の可能性を示し、その危険を回避するための方法を説明しています。



警告：物的損害、けが、または死亡の原因となる可能性があることを示しています。

本書の内容は予告なく変更されることがあります。

© 2008 すべての著作権は Dell Inc. にあります。

Dell Inc. の書面による許可のない複製は、いかなる形態においても厳重に禁じられています。

本書に使用されている商標：Dell、DELL ロゴ、および Dell OpenManage は Dell Inc. の商標です。Microsoft、Windows、および Windows Server は米国その他の国における Microsoft Corporation の商標または登録商標です。AMD および AMD Opteron は Advanced Micro Devices, Inc. の商標です。Intel および Xeon は Intel Corporation の登録商標です。SUSE は Novell, Inc. の登録商標です。Red Hat および Enterprise Linux は Red Hat, Inc. の登録商標です。VMware は米国その他の法域における VMware, Inc. の登録商標です。

本書では、必要に応じて上記以外の商標や会社名が使用されている場合がありますが、それらの商標や会社名は、一切 Dell Inc. に帰属するものではありません。

モデル BMX01

2008 年 5 月

P/N T550C

Rev.A00

システムの機能

本項では、お使いのシステムのハードウェアとソフトウェアの主要な機能について説明します。また、システムをセットアップする際に必要なその他のマニュアルの情報や、テクニカルサポートへの連絡方法についても説明します。

システムエンクロージャの機能

M1000e システムエンクロージャ（シャーシ）には、次の機能が搭載されています。

スケーラビリティ機能

- ハーフハイトなら 16 台、フルハイトなら 8 台までのブレード（サーバーモジュール）をサポートします。
- イーサネット、Infiniband、およびファイバーチャネルモジュールの組み合わせを選択できる 3 層の I/O ファブリックをサポートします。

ファイバーチャネルスイッチ、ファイバーチャネルパススルー、Infiniband スイッチ、イーサネットスイッチ、イーサネットパススルーモジュールの中から選んで、エンクロージャ内に 6 台までの I/O モジュールを取り付けることができます。

信頼性に関する機能

- ホットプラグ対応の冗長システムファンモジュールが 9 台。
- 2360 W、ホットプラグ対応電源ユニット 3 台、および電源ユニットダミー 3 個、または 2360 W、ホットプラグ対応電源ユニット 6 台（3 台の電源ユニットはシステムに電力を供給し、電源ユニット 3 台を追加すると 3+3 の冗長性が実現します）。


➡ **注意:** 電源ユニットは配電ユニット（PDU）にのみ接続できます。コンセントに直接接続することはできません。

➡ **注意:** システムエンクロージャには、200 ~ 240V の電源が必要です。

システム管理機能


- シャーシ管理コントローラ（CMC）には、以下に示す重要なシステム管理機能があります。
 - エンクロージャレベルの電力管理と温度管理：
 - CMC はシステム電源の要求を監視し、オプションの Dynamic Power Supply Engagement モードをサポートしています。そのため、CMC は負荷と冗長性の要求に応じて、電源を有効にしたりスタンバイにしたりする操作を動的に行うことができ、省エネ効果を高めます。
 - CMC はリアルタイムの消費電力を報告します。
 - CMC はオプションのパワーシーリングをサポートしています。パワーシーリングは、エンクロージャの消費電力を事前に設定したシーリング以下に保つために、自動的にアラートを生成したり操作を行ったりします。
 - CMC は、実際の周囲温度と内部温度を測定して、冷却ファンの監視と制御を行います。
 - CMC は総合的なエンクロージャのインベントリを提供し、ステータス / エラーを報告します。
 - CMC では、以下の設定を集中的に行うことができます。
 - CMC のネットワークおよびセキュリティの設定
 - 電源の冗長性とパワーシーリングの設定
 - I/O スイッチと iDRAC ネットワークの設定
 - ブレード上の最初の起動デバイス
 - CMC は I/O モジュールとブレードの間の I/O ファブリックの一貫性をチェックし、システムのハードウェアを保護するために、必要に応じてシステムコンポーネントを無効にします。
 - ユーザーアクセスセキュリティ。
 - CMC カードの SD カードスロットは、オプションの固定 WWN/MAC 機能をサポートしています。この機能により、ブレードでスロットベースの WWN/MAC が可能になり、ブレードの取り付けと交換が容易になります。

CMCにはイーサネットポートが2個あります。「Gb1」は外部管理ネットワークへの接続に使用します。「スタック」により、隣接するエンクロージャ内のCMCをデジーチェーン接続できます。24ポートを備えたイーサネットスイッチは、ブレード、I/Oモジュール、オプションのiKVM、およびオプションの2つ目の冗長CMCとの内部通信(100 Mb)と、外部管理ネットワークへの10/100/1000 Mb接続を可能にします。


 **メモ:** 24ポートを備えたイーサネットスイッチは、ブレード上のiDRACからCMCへ、さらには外部管理ネットワークへの内部通信に予約されています。

ホットプラグ対応のフェイルオーバー冗長性を目的に2つ目のオプションのCMCを取り付けることもできます。

- 現在のインフラ、ブレード情報、エラー報告を示すLCDディスプレイを含むエンクロージャのコントロールパネル。
- オプションのAvocent内蔵キーボード/ビデオ/マウス(iKVM)モジュール。次の機能が搭載されています。
 - 入力が各ブレードから切り替えられる際に、iKVMはすべてのブレードの接続を維持します。
 - ローカルiKVMアクセスは、iDRACユーザーインターフェースを介してブレードごとにリモートで無効にできます。
 - VGAコネクタ1個。
 - キーボードとマウス用のUSBポート2個。

 **メモ:** USBの機能は、モニターケーブルなどのビデオインターフェースの接続によって左右されます。

- 外付けのDellおよびAvocentのアナログKVMとARIポートを備えたKVM over IPスイッチを階層にするためのRJ-45 ACIポート。ACI接続は背面パネルのKVMポートに優先します。
- iKVMは、エンクロージャ前面のコントロールパネルからもアクセスできます。前面または背面のKVM機能がサポートされています(同時機能はサポートされていません)。

 **メモ:** 前面と背面のiKVMポートの間に接続がある場合、前面のiKVMがデフォルトで有効になります。前面iKVMへのアクセスは、CMCユーザーインターフェースを介して無効にできます。

ブレードの機能

性能特性

PowerEdge M905

- AMD™ Opteron™ 8000 シリーズのデュアルコアまたはクアドコアプロセッサ 4 個。
- 最小 8 GB の 677 MHz DDR2 メモリモジュール。ブレードのシステム基板にある 24 個のメモリモジュールソケットに 1 GB、2 GB、4 GB、または 8 GB のモジュールをペアで取り付けることによって、最大 192 GB にアップグレード可能。8 個または 16 個のメモリモジュールソケットに同一のメモリモジュールを装着した場合は、メモリスペアリングにも対応できます。
- 内蔵の Hypervisor をサポートする SD カードスロット。

PowerEdge M805

- AMD Opteron 2000 シリーズのデュアルコアまたはクアドコアプロセッサ 2 個。
- 最小 4 GB の 677 MHz DDR2 メモリモジュール。ブレードのシステム基板にある 16 個のメモリモジュールソケットに 1 GB、2 GB、4 GB、または 8 GB のモジュールをペアで取り付けることによって、最大 128 GB にアップグレード可能。8 個または 16 個のメモリモジュールソケットに同一のメモリモジュールを装着した場合は、メモリスペアリングにも対応できます。
- 内蔵の Hypervisor をサポートする SD カードスロット。

PowerEdge M600

- Intel® Xeon® デュアルコアまたはクアドコアプロセッサが 1 個または 2 個。
- 最小 1 GB の 677 MHz FBD メモリモジュール。ブレードのシステム基板にある 8 個のメモリモジュールソケットに 512 MB、1 GB、2 GB、4 GB、または 8 GB のモジュールをペアで取り付けることによって、最大 64 GB にアップグレード可能。8 つのメモリモジュールソケットすべてに同一のメモリモジュールを装着した場合は、メモリスペアリングまたはメモリミラーリングにも対応できます。

PowerEdge M605

- AMD Opteron 2000 シリーズのデュアルコアまたはクアッドコアプロセッサ 1 個または 2 個。
- 最小 1 GB の 677 MHz または 800 MHz の DDR2 メモリモジュール。ブレードのシステム基板にある 8 個のメモリモジュールソケットに 512 MB、1 GB、2 GB、4 GB、または 8 GB のモジュールをペアで取り付けることによって、最大 64 GB にアップグレード可能。メモリスペアリングにも対応できます。

共通の機能

- PowerEdge M805 および M905 のブレードでは、2.5 インチ SAS ハードドライブを 1 台または 2 台使用できます。
- PowerEdge M600 および M605 のブレードでは、2.5 インチ SATA ハードドライブを 2 台まで、または 2.5 インチ SAS ハードドライブを 2 台まで使用できます。



メモ：1 台のブレード内に SAS と SATA のハードドライブを混在させることはできません。

ブレードにオプションの RAID コントローラカードが取り付けられている場合は、ホットプラグドライブ操作がサポートされます。

- 3 個の USB 2.0 対応ポート (PowerEdge M805 および M905) または 2 個の USB 2.0 対応ポート (PowerEdge M605 および M600) には、マウス、キーボード、フラッシュドライブ、ディスクドライブ、またはオプティカルドライブなどのデバイスを接続できます。



メモ：デル製の USB デバイスのみがサポートされています。

- ATI RN50 ビデオコントローラ搭載の内蔵 VGA 互換ビデオサブシステム。このビデオサブシステムには、32 MB の SDRAM ビデオメモリが組み込まれています (アップグレード不可)。最大解像度は 1280 x 1024 x 65,000 色 (ノンインタレース) です。
- Integrated Dell Remote Access Controller (iDRAC)。リモートシステム管理、ブレードレベルの電力管理、仮想 KVM および仮想メディアのサポート、リモートアラート、イベントログが行えます。

- 内蔵デュアルポート Broadcom 5709S コントローラ 2 つによってサポートされている 1 GB イーサネットポート 4 個 (PowerEdge M805/M905 の場合)、または内蔵 Broadcom 5708S コントローラ 2 つによってサポートされている 1 GB イーサネットポート 2 個 (PowerEdge M600/M605 の場合)。TCP/IP オフロードエンジン (TOE) および iSCSI ブート対応。

システムの機能の完全なリストは、57 ページの「仕様」を参照してください。

お使いのシステムには、次のソフトウェアが付属しています。

- システム設定情報をすばやく表示したり変更したりできるセットアップユーティリティ。このプログラムの詳細については、『ハードウェアオーナーズマニュアル』の「セットアップユーティリティの使い方」を参照してください。
- セットアップユーティリティから利用可能な、システムパスワードおよびセットアップパスワードを含む強化されたセキュリティ機能。
- システムのコンポーネントおよびデバイスを評価するためのシステム診断プログラム。このプログラムについては、『ハードウェアオーナーズマニュアル』の「システム診断プログラムの実行」を参照してください。
- 多くの一般的なアプリケーションプログラムを高解像度モードで表示するビデオドライバ。
- システム管理ソフトウェアおよびマニュアル。システム管理ソフトウェアは、個々のブレード、ならびにブレード全部、ネットワークスイッチモジュール、電源ユニット、およびファンを含む全体としてのシステムの管理と監視に使用します。システム管理ソフトウェアは、ネットワーク上のシステムをローカルおよびリモートで管理します。このシステムに付属のシステム管理ソフトウェアをお使いになるようお勧めします。
- ウェブホスティング、キャッシング、またはロードバランシングに使用するオプションのソリューションソフトウェア。詳細については、ソリューションソフトウェアのマニュアルを参照してください。

サポートされている OS

- Microsoft® Windows Server™ 2003 Web/Standard/Enterprise (32 ビット x86) Edition With SP2
- Microsoft Windows Server 2003 Standard/Enterprise/DataCenter (x64) Edition SP1/SP2
- Microsoft Windows Server 2003 R2 Standard/Enterprise (32 ビット x86) Edition With SP1/SP2
- Microsoft Windows Server 2003 R2 Standard/Enterprise/DataCenter (x64) Edition With SP1/SP2
- Microsoft Windows Server 2008 Standard Edition With SP1/SP2、DataCenter、および EM64T
- Red Hat® Enterprise Linux® AS/ES/WS (バージョン 4) および EM64T
- Red Hat Enterprise Linux AS/ES (バージョン 4) (ia32)
- Red Hat Enterprise Linux Server AS/ES (バージョン 5) (ia32)
- Red Hat Enterprise Linux Server AS/ES/WS (バージョン 5) および EM64T
- SUSE® Linux Enterprise Server 9 (x86_64) With SP3 および EM64T
- SUSE Linux Enterprise Server 10 (x86_64) および EM64T
- VMWare® ESX 3.1
- VMWare ESX 3.5

その他の情報



警告：システムに付属のマニュアルで安全および認可機関に関する情報を参照してください。保証情報に関しては、『サービス & サポートのご案内』を参照してください。

- 『Configuration Guide』（設定ガイド）では、システムエンクロージャとブレードの設定について説明しています。
- システムをラックに取り付ける方法については、ラックに付属の『ラック取り付けガイド』に説明があります。

- 『ハードウェアオーナーズマニュアル』では、システムの機能、トラブルシューティング方法、およびコンポーネントの取り付けや交換の方法について説明しています。このマニュアルはシステムに付属の CD に収録されているか、または **support.dell.com** で入手できます。
- Dell Chassis Management Controller の『ユーザーズガイド』では、システムのリモート管理機能の使い方を詳しく説明しています。
- システムに付属の CD または DVD には、システムの設定と管理に使用するマニュアルやツールが収録されています。
- システム管理ソフトウェアのマニュアルでは、システム管理ソフトウェアの機能、動作要件、インストール、および基本操作について説明しています。
- OS のマニュアルでは、OS ソフトウェアのインストール手順（必要な場合）や設定方法、および使い方について説明しています。
- システムとは別に購入されたコンポーネントのマニュアルでは、購入されたオプション装置の取り付けや設定について説明しています。
- システム、ソフトウェア、またはマニュアルの変更にに関して記載されたアップデート情報がシステムに付属していることがあります。
 - **メモ**：アップデートには他の文書の内容を差し替える情報が含まれている場合がよくありますので、**support.dell.com** でアップデートがないかどうかを常に確認し、初めにお読みください。
- リリースノートまたは readme ファイルには、システムまたはマニュアルの最新のアップデート情報や、専門知識をお持ちのユーザーや技術者のための高度な技術情報が記載されています。

テクニカルサポートの利用法

このガイドの手順が理解できない場合やシステムが思ったとおりに動作しない場合は、『ハードウェアオーナーズマニュアル』を参照してください。

デルでは、企業向けのトレーニングと資格認証を実施しています。詳細については、**dell.com/training** を参照してください。このサービスが提供されていない地域もあります。

取り付けと設定

⚠ 警告：次の手順を実行する前に、システムに付属のマニュアルの安全および認可機能に関する情報をよく読み、指示に従ってください。安全に関するベストプラクティスの詳細については、www.dell.com/regulatory_compliance を参照してください。

本項では、システムを初めてセットアップする際に必要な手順について説明します。

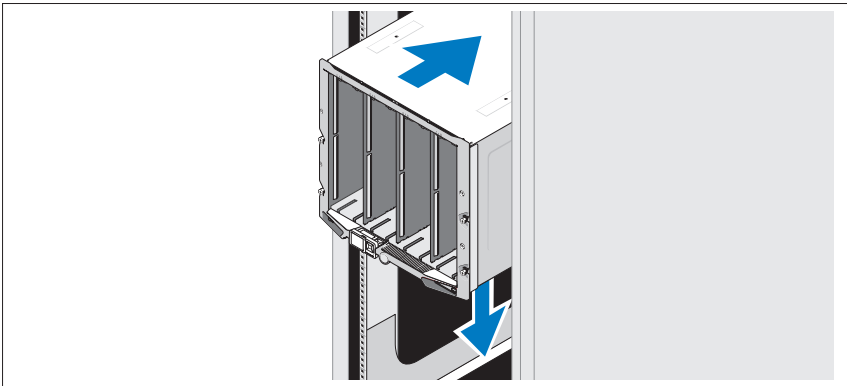
システムの開梱

システムを箱から取り出し、同梱品がすべて揃っていることを確認します。後で必要になる場合があるので、梱包材と箱は保管しておいてください。

ラックへのシステムの取り付け

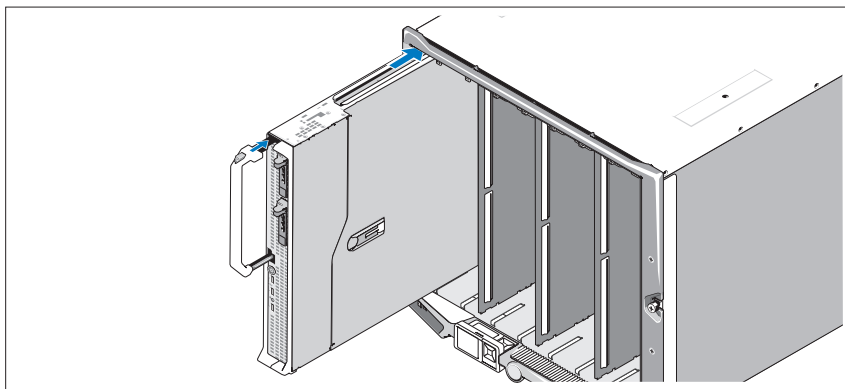
お使いのシステムのラック取り付けガイドに記載されている「安全にお使いいただくための注意」を読まれたら、ラックにシステムを取り付けます。

システムをラックに取り付ける手順については、ラック取り付けガイドを参照してください。電源および冷却関係のガイドラインについては、www.dell.com でラックの容量プランナツールを参照してください。



ブレードの取り付け

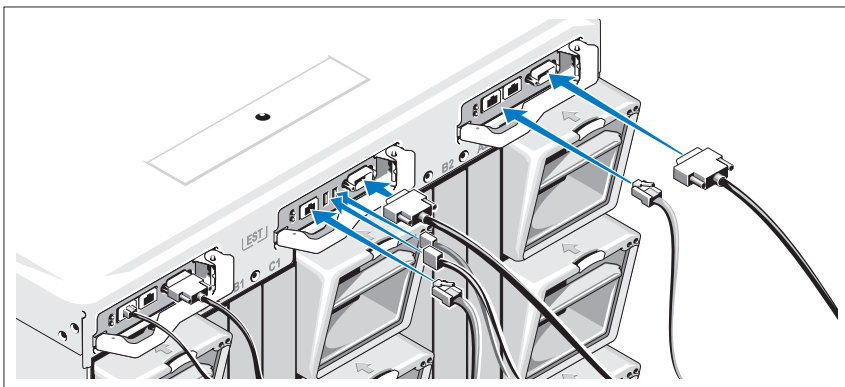
最上部から始めて、左から右の順にモジュールをエンクロージャに挿入して取り付けていきます。ブレードが固定されたら、ハンドルが閉じ位置に戻ります。



CMC モジュールと KVM モジュールの接続

管理システムと CMC モジュールをシリアルケーブルとネットワークケーブルでつなぎます。2 台目のオプションの CMC モジュールを取り付けた場合は、同様にケーブルを接続します。出荷時に M805 または M905 のブレードが取り付けられていた場合は、バージョン 1.2 以降の CMC ファームウェアがプリインストールされています。

キーボード、マウス、モニターをオプションの iKVM モジュールに接続します。

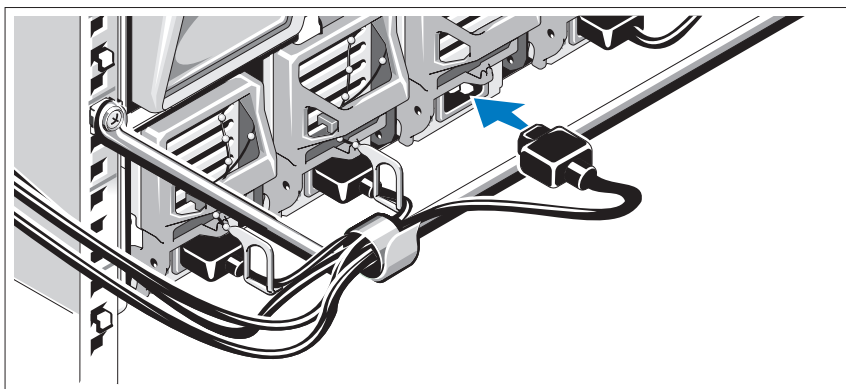


システムの電源への接続

システムの電源ユニットに電源コードを接続します。

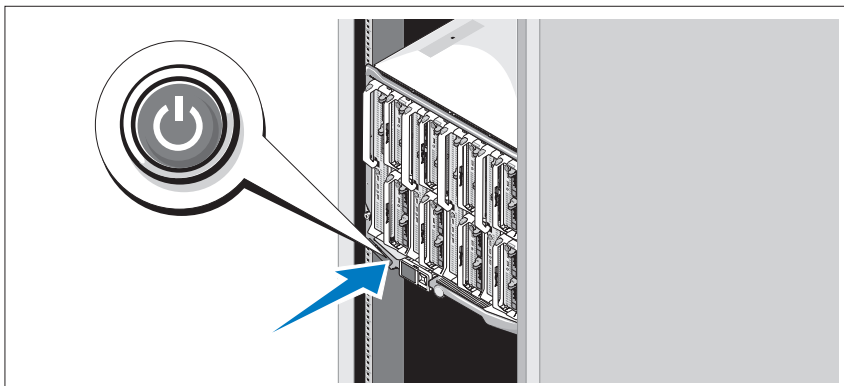
- ➡ **注意:** 電源ケーブルが誤って外れてしまうことがないように、各電源ユニットのプラスチック製のクリップを使用して電源ケーブルを電源ユニットに固定し、ベルクロストラップを使用してケーブルをストレーンリリーフバーに固定します。

次に、電源ケーブルのもう一方の端を、無停電電源措置（UPS）または配電ユニット（PDU）などの別の電源に接続します。



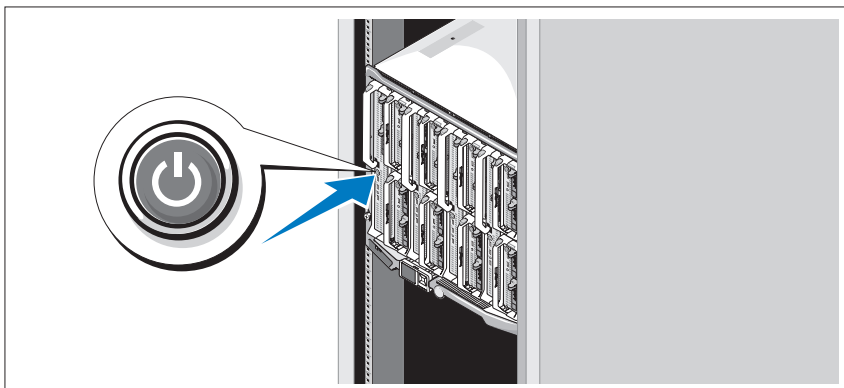
システムの電源投入

エンクロージャの電源ボタンを押します。電源インジケータが点灯します。



ブレードの電源投入

各ブレードの電源ボタンを押すか、またはシステム管理ソフトウェアを使用してブレードの電源を入れます。



OS のセットアップの完了

システムに OS がプリインストールされている場合は、システムと同梱の OS のマニュアルを参照してください。OS を初めてインストールする場合は、『クイックインストールガイド』を参照してください。システムとは別途に購入したハードウェアやソフトウェアのインストールは、OS がインストール済みであることを確認してから行ってください。

仕様

ブレードの仕様

プロセッサ

プロセッサの種類

PowerEdge M905	デュアルコアまたはクアッドコア AMD Opteron 8000 シリーズのプロセッサ 4 個
PowerEdge M805	デュアルコアまたはクアッドコア AMD Opteron 2000 シリーズのプロセッサ 2 個
PowerEdge M600	デュアルコアまたはクアッドコア Intel Xeon プロセッサ 1 個または 2 個
PowerEdge M605	デュアルコアまたはクアッドコア AMD Opteron 2000 シリーズのプロセッサ 1 個または 2 個

メモリ

アーキテクチャ

PowerEdge M600	FBD メモリモジュール、動作周波数 677MHz
PowerEdge M905/M805/M605	DDR2 メモリモジュール、動作周波数 677MHz

メモリ (続き)

メモリモジュールソケット

PowerEdge M905	240 ピンソケット 24 個
PowerEdge M805	240 ピンソケット 16 個
PowerEdge M605/M600	240 ピンソケット 8 個

メモリモジュールの容量

512 MB (PowerEdge M605/M600)、
1 GB、2 GB、4 GB、または 8 GB

最小 RAM

プロセッサあたり 2 枚のメモリモジュール

PowerEdge M905	8 GB (1 GB のメモリモジュール 8 枚)
PowerEdge M805	4 GB (1 GB のメモリモジュール 4 枚)
PowerEdge M600/M605	1 GB (512 MB のメモリモジュール 2 枚)

最大 RAM

PowerEdge M905	192 GB
PowerEdge M805	128 GB
PowerEdge M600/M605	64 GB

ドライブ

ハードドライブ

PowerEdge M805/M905 2.5 インチ SAS ハードドライブ 1 台または 2 台

PowerEdge M600/M605

SATA 構成 2.5 インチ SATA ハードドライブ 1 台または 2 台

SAS 構成 2.5 インチ SAS ハードドライブ 1 台または 2 台

メモ: 1 台の M600/M605 ブレード内に SAS と SATA のハードドライブを混在させることはできません。

コネクタ

外付け

USB

PowerEdge M805/M905	4 ピン USB 2.0 対応コネクタ 3 個
PowerEdge M600/M605	4 ピン USB 2.0 対応 2 個

内部

SD カード (PowerEdge M805/M905) SD カードコネクタ 1 個

イーサネットコントローラ

チップセット

PowerEdge M805/M905	TOE および iSCSI ブート対応のイーサネットポート 4 個 (内蔵デュアルポート Broadcom 5709S イーサネットコントローラ 2 つによって提供)
PowerEdge M600/M605	TOE および iSCSI ブート対応のイーサネットポート 2 個 (内蔵 Broadcom 5708S コントローラ 2 つによって提供)

ビデオコントローラ

ビデオの種類	ATI RN50 ビデオコントローラ
ビデオメモリ	32 MB

サイズと重量

PowerEdge M905/M805

縦幅	38.5cm
横幅	5 cm
奥行	48.6 cm
重量 (最大構成)	11.1 kg

サイズと重量 (続き)

PowerEdge M605/M600

縦幅	18.9 cm
横幅	5 cm
奥行	48.6 cm
重量 (最大構成)	5.2 ~ 6.4 kg

バッテリー

ブレードのバッテリー	3.0 V コイン型リチウムイオン電池 CR 2032
------------	-----------------------------

システムエンクロージャの仕様

サイズと重量

縦幅	44.0 cm
横幅	44.7 cm
奥行	75.5 cm
重量 (最大構成)	178.3 kg
重量 (空の状態)	44.6 kg

電源ユニットモジュール

AC/DC 電源ユニット (1 台あたり)

ワット数	2360 W
コネクタ	NEMA C20 ソケット
熱消費	1205 BTU/時 最大
最大流入電流	通常のラインコンディションのもと、システムの動作環境全範囲で、電源ユニット 1 台につき 10 ミリ秒以下で 55 A の入電量を許容できます。
システムの電圧要件	200 ~ 240V、16A、3 相、50 /60Hz 200 ~ 240V、40.5A、単相、50 /60Hz

オプションの Avocent iKVM モジュール

背面の外部アクセス用コネクタ

USB	キーボード / マウス用 4 ピン USB 2.0 対応コネクタ 2 個
ACI ポート	RJ-45
ビデオ	15 ピン VGA

シャーシ管理コントローラモジュール

外部アクセス用コネクタ

リモート管理	内蔵イーサネットリモートアクセスコントローラ専用の 10/100/1000 Mb RJ-45 ポート 2 個
シリアル	16550 互換 9 ピン DTE
ビデオ	15 ピン VGA
バッテリー	3.0 V コイン型リチウムイオン電池 CR 2032
SD カード	FlexAddress をサポートする専用の内蔵 SD フラッシュカードメモリスロット 1 個

エンクロージャのコントロールパネル

外部アクセス用コネクタ

USB	
PowerEdge M905/M805	キーボード / マウス用 4 ピン USB 2.0 対応コネクタ 3 個
PowerEdge M605/M600	キーボード / マウス用 4 ピン USB 2.0 対応コネクタ 2 個
ビデオ	15 ピン VGA

ナビゲーションパネル

機能	カーソルコントロールキー 4 個、セレクトキー 1 個、LCD 画面
----	------------------------------------

I/O モジュールの仕様

PowerConnect M6220 イーサネットスイッチモジュール

外部アクセス用コネクタ

10/100/1000 Mbps イーサネット	オートネゴシエーション RJ-45 ポート 4 個
シリアル	4 ピン USB 2.0 タイプ A コネクタ 1 個 (ターミナルへの接続には付属の USB タイプ A-to-DB9 アダプタを使用して ください)。
オプションのモジュール	オプションベイ 2 つ。各ベイは、 24 Gb スタッキングポート 2 個、 10 Gb CX4 銅線アップリンク 2 個、 または 10 Gb オプティカル XFP 2 個を 備えたモジュールをサポートします。

Cisco M7000E Infiniband スイッチモジュール

外部アクセス用コネクタ

DDR Infiniband アップリンクポート
8 個

Gb イーサネットパススルーモジュール

外部アクセス用コネクタ

RJ-45 イーサネットポート 16 個

ファイバーチャネルパススルーモジュール

外部アクセス用コネクタ

ファイバーチャネルトランシーバ	1/2/4 Gbps FC 速度をサポートする外 部 SFP ポート 16 個
-----------------	--

Brocade ファイバーチャネルスイッチモジュール

外部アクセス用コネクタ

ファイバーチャネル	1/2/4 Gbps ファイバーチャネル接続を サポートする物理 FC ポート 8 個 (4 個はデフォルトで有効、8 個まで アップグレード可能)
シリアルポート	RJ-45

環境

メモ：特定のシステム構成でのその他の環境条件の詳細については、dell.com/environmental_datasheets を参照してください。このシステムはオフィス環境用ではありません。

温度

動作時	10 ~ 35 °C メモ ：900 m を超える場所では、300 m 上昇するごとに最大温度を 1 °C 下げます。
保管時	-40 ~ 65 °C

相対湿度

動作時	1 時間当たり最大 10 パーセントの湿度変化で 8 ~ 85 パーセント（結露しないこと）
保管時	5 ~ 95 パーセント（結露しないこと）

最大耐久震度

動作時	15 分間にわたり 10 ~ 350 Hz で 0.26 Grms
保管時	15 分間にわたり 10 ~ 250 Hz で 1.54 Grms

最大耐久衝撃

動作時	z 軸の正方向に 2.6 ミリ秒以下で 31G の 1 衝撃パルス
保管時	
PowerEdge M905/M805	x、y、z 軸の正および負方向に 2 ミリ秒以下で 71 G の 6 連続衝撃パルス
PowerEdge M605/M600	x、y、z 軸の正および負方向に 2 ミリ秒以下で 71 G の 6 連続衝撃パルス

高度

動作時	-16 ~ 3,048 m
保管時	-16 ~ 10,600 m

Dell™ PowerEdge™
M905, M805, M605, and M600

시스템 시작하기



주, 주의사항 및 주의



주: "주"는 컴퓨터를 보다 효율적으로 사용하는 데 도움을 주는 중요 정보를 제공합니다.



주의사항: "주의사항"은 하드웨어의 손상 또는 데이터 유실 위험을 설명하며, 이러한 문제를 방지할 수 있는 방법을 알려줍니다.



주의: "주의"는 재산상의 피해나 심각한 부상 또는 사망을 유발할 수 있는 우려가 있음을 알려줍니다.

이 문서의 정보는 사전 통보 없이 변경될 수 있습니다.

© 2008 Dell Inc. 저작권 본사 소유.

Dell Inc.의 서면 승인 없이 어떠한 경우에도 무단 복제하는 것을 엄격히 금합니다.

본 설명서에 사용된 상표인 *Dell*, *DELL* 로고 및 *Dell OpenManage*는 Dell Inc.의 상표이며, *Microsoft*, *Windows* 및 *Windows Server*는 미국 및/또는 기타 국가에서 Microsoft Corporation의 상표 또는 등록 상표입니다. *AMD* 및 *AMD Opteron*은 Advanced Micro Devices, Inc.의 상표이며, *Intel* 및 *Xeon*은 Intel Corporation의 등록 상표입니다. *SUSE*는 Novell, Inc.의 등록 상표이며, *Red Hat* 및 *Enterprise Linux*는 Red Hat, Inc.의 등록 상표입니다. *VMware*는 미국 및/또는 기타 지역에서 VMware, Inc.의 등록 상표입니다.

본 설명서에서 특정 회사의 표시나 제품 이름을 지칭하기 위해 기타 상표나 상호를 사용할 수도 있습니다. Dell Inc.는 자사가 소유하고 있는 것 이외에 기타 모든 상표 및 상호에 대한 어떠한 소유권도 없습니다.

모델 **BMX01**

2008 년 5 월

P/N T550C

Rev. A00

시스템 특징

이 절에서는 컴퓨터의 주요 하드웨어 및 소프트웨어의 특징을 설명합니다. 시스템 설정 시 필요한 기타 설명서 정보 및 기술 지원을 얻는 방법도 기술되어 있습니다.

시스템 인클로저 기능

M1000e 시스템 인클로저(새시)에는 다음 기능이 있습니다.

확장성 기능

- 절반 높이 블레이드 16개 또는 전체 높이 블레이드 8개(서버 모듈)까지 지원.
- Ethernet, Infiniband 및 Fibre Channel 모듈의 조합 간에 선택 가능한 I/O 패브릭 3층까지 지원.

Fibre Channel 스위치, Fibre Channel 통과, Infiniband 스위치, Ethernet 스위치 및 Ethernet 통과 모듈에서 선택한 I/O 모듈을 6개까지 인클로저에 설치할 수 있습니다.

안정성 기능

- 단축 연결 가능한 중복 시스템 팬 모듈 9개.
- 2360W의 단축 연결 가능한 전원 공급 장치 3개 및 전원 공급 장치 블랭크 3개 또는 2360W의 단축 연결 가능한 전원 공급 장치 6개. (3개의 전원 공급 장치는 시스템에 전원을 제공하며 3개의 전원 공급 장치를 별도로 추가하면 3+3 중복이 됩니다.)


➡ **주의사항:** 전원 공급 장치는 PDU (Power Distribution Unit)에만 연결할 수 있습니다. 전원 콘센트에 직접 연결할 수 없습니다.

➡ **주의사항:** 시스템 인클로저에는 200-240V의 전원 소스가 필요합니다.

시스템 관리 기능


- CMC(Chassis Management Controller)는 다음과 같은 여러 가지의 필수 시스템 관리 기능을 제공합니다.
 - 인클로저 수준의 전원 관리 및 열 관리 :
 - CMC 는 전원 효율성 향상을 위해 로드 및 중복 요구사항에 따라 CMC 에서 대기 중인 전원 공급 장치를 활성화하거나 동적으로 전환할 수 있도록 시스템 전원 요구사항을 모니터링하고 Dynamic Power Supply Engagement(동적 전원 공급 장치 사용) 모드 옵션을 지원합니다.
 - CMC 는 전원 소비를 실시간으로 보고합니다.
 - CMC는 미리 정의된 한도 아래에서 인클로저 전원 소비를 유지하기 위한 경고 또는 작업을 트리거하는 전원 한도 옵션을 지원합니다.
 - CMC 는 실제 주변 및 내부 온도 측정에 따라 냉각 팬을 모니터링 및 제어합니다.
 - CMC 는 전체 인클로저 채고 및 상태 / 오류 보고를 제공합니다.
 - CMC 는 다음 설정의 전용 구성을 허용합니다.
 - CMC 의 네트워크 및 보안 설정
 - 전원 중복 및 전원 한도 설정
 - I/O 스위치 및 iDRAC 네트워크 설정
 - 블레이드의 첫 번째 부팅 장치
 - 시스템 하드웨어를 보호해야 할 경우 CMC 에서 I/O 모듈과 블레이드 간의 I/O 패브릭 일관성을 점검하고 시스템 구성부품을 비활성화합니다.
 - 사용자 액세스 보안.
 - CMC 카드의 SD 카드 슬롯은 블레이드 설치 및 교체를 쉽게 해주는 블레이드용 슬롯 기반 WWN/MAC 를 허용하는 WWN/MAC 기능 옵션을 지원합니다.

CMC에는 2개의 Ethernet 포트가 있습니다. "Gb1"은 외부 관리 네트워크에 연결할 때 사용합니다. "스택"은 데이지 체인 방식의 인접 인클로저에서 CMC를 허용합니다. 24 포트의 Ethernet 스위치는 블레이드, I/O 모듈, iKVM 옵션 및 두 번째 중복 CMC 옵션과의 내부 100-Mb 통신을 제공하며, 외부 관리 네트워크와의 10/100/1000-Mb 연결을 제공합니다.


 **주:** 24 포트의 Ethernet 스위치는 블레이드의 iDRAC와 CMC 간의 내부 통신에, 그런 다음 외부 관리 네트워크에 예약됩니다.

두 번째 CMC 옵션은 단축 연결 장애 중복 시 설치할 수 있습니다.

- 현재 구조 및 블레이드 정보와 오류 보고를 제공하는 LCD 디스플레이를 포함하는 인클로저 제어 패널 1개.
- Avocent iKVM (Integrated Keyboard, Video and Mouse) 모듈에는 다음 기능이 포함됩니다.
 - iKVM 는 각 블레이드에서 입력이 스위치되는 한 모든 블레이드 연결을 유지합니다.
 - 로컬 iKVM 액세스는 iDRAC 사용자 인터페이스를 통해 블레이드마다 원격으로 비활성화할 수 있습니다.
 - VGA 커넥터 1 개 .
 - 키보드 및 마우스 연결용 USB 포트 2 개 .

 **주:** USB 기능은 모니터 케이블 등의 비디오 인터페이스에 연결할 때 점검됩니다.

- 외장형 Dell 및 Avocent 아날로그 KVM 과의 계층화를 위한 RJ-45 ACI 포트 1 개 및 ARI 포트와의 IP 스위치의 KVM. ACI 연결은 후면 패널 KVM 포트보다 우위에 있습니다.
- iKVM 은 인클로저 전면의 제어 패널에서 액세스할 수도 있습니다. 전면 또는 후면 KVM 기능이 지원됩니다 (동시 기능 지원되지 않음).

 **주:** 전면 및 후면 iKVM 포트가 경쟁할 경우 기본적으로 전면 iKVM이 활성화됩니다. 전면 iKVM 액세스는 CMC 사용자 인터페이스를 통해 비활성화할 수 있습니다.

블레이드 기능

성능 기능

PowerEdge M905

- AMD™ Opteron™ 8000 시리즈 듀얼 코어 또는 쿼드 코어 프로세서 4개.
- 최소 8GB의 677MHz DDR2 메모리 모듈은 블레이드 시스템 보드의 메모리 모듈 소켓 24개에 1GB, 2GB, 4GB 또는 8GB 모듈 조합을 설치하여 최대 192GB까지 업그레이드할 수 있습니다. 8개 또는 16개의 메모리 모듈 소켓에 동일한 메모리 모듈이 장착되어 있을 경우 블레이드는 또한 메모리 스페어링을 지원합니다.
- 내장된 Hypervisor 지원용 SD (Secure Digital) 카드 슬롯 1개.

PowerEdge M805

- AMD Opteron 2000 시리즈 듀얼 코어 또는 쿼드 코어 프로세서 2개.
- 최소 4GB의 677MHz DDR2 메모리 모듈은 블레이드 시스템 보드의 메모리 모듈 소켓 16개에 1GB, 2GB, 4GB 또는 8GB 모듈 조합을 설치하여 최대 128GB까지 업그레이드할 수 있습니다. 블레이드는 또한 8개 또는 16개의 메모리 모듈 소켓에 동일한 메모리 모듈이 들어있을 경우 메모리 배분(sparing)을 지원합니다.
- 내장된 Hypervisor 지원용 SD 카드 슬롯 1개.

PowerEdge M600

- 듀얼 코어 또는 쿼드 코어 Intel® Xeon® 프로세서 1개 또는 2개.
- 최소 1GB의 677MHz FBD 메모리 모듈은 블레이드 시스템 보드의 메모리 모듈 소켓 8개에 512MB, 1GB, 2GB, 4GB 또는 8GB 모듈 조합을 설치하여 최대 64GB까지 업그레이드할 수 있습니다. 블레이드는 또한 8개의 메모리 모듈 소켓에 동일한 메모리 모듈이 들어있을 경우 메모리 배분(sparing) 또는 메모리 미러링(mirroring)을 지원합니다.

PowerEdge M605

- AMD Opteron 2000 시리즈 듀얼 코어 또는 쿼드 코어 프로세서 1개 또는 2개.
- 최소 1GB의 677MHz 또는 800MHz DDR2 메모리 모듈은 블레이드 시스템 보드의 메모리 모듈 소켓 8개에 512MB, 1GB, 2GB, 4GB 또는 8GB 모듈 조합을 설치하여 최대 64GB까지 업그레이드할 수 있습니다. 블레이드는 또한 메모리 배분(sparing)을 지원합니다.

공통 특징

- PowerEdge M805 및 M905 블레이드는 1개 또는 2개의 2.5인치 SAS 하드 드라이브를 지원합니다.
- PowerEdge M600 및 M605 블레이드는 1개 또는 2개의 2.5인치 SATA 하드 드라이브 또는 1개 또는 2개의 2.5인치 SAS 하드 드라이브를 지원합니다.



주: SAS와 SATA 하드 드라이브는 블레이드에서 함께 사용할 수 없습니다.

RAID 컨트롤러 카드 옵션이 블레이드에 설치되어 있을 경우 단축 연결 드라이브 작동이 지원됩니다.

- USB 2.0 호환 포트 3개(PowerEdge M805 및 M905) 또는 USB 2.0 호환 포트 2개(PowerEdge M605 및 M600)는 마우스, 키보드, 플래시 드라이브, 디스켓 드라이브 또는 광학 드라이브 등의 장치를 지원합니다.



주: Dell에서 제공하는 USB 장치만 지원됩니다.

- 내장형 VGA 호환 비디오 서브시스템에는 ATI RN50 비디오 컨트롤러가 있습니다. 이 비디오 서브시스템에는 32MB의 SDRAM 비디오 메모리가 포함되어 있습니다(업그레이드 불가능). 최대 해상도는 1280 x 1024 x 65,000 색상(비인터레이스)입니다.
- 원격 시스템 관리, 블레이드 수준 전원 관리, 가상 KVM 및 가상 매체 지원, 원격 경고 및 이벤트 로깅을 제공하는 iDRAC (Integrated Dell Remote Access Controller) 1개.
- 내장형 듀얼 포트 Broadcom 5709S 컨트롤러 (PowerEdge M805 및 M905)에서 지원하는 1-GB Ethernet 포트 4개 또는 내장형 Broadcom 5708S 컨트롤러 (PowerEdge M600 및 M605)에서 지원하는 1-GB Ethernet 포트 2개. TOE (TCP/IP Offload Engine) 및 iSCSI 부팅이 지원됩니다.

시스템 특징의 전체 목록을 보려면 78페이지의 "기술 사양"을 참조하십시오.

시스템에는 다음과 같은 소프트웨어가 설치되어 있습니다.


- 시스템 구성 정보를 빠르게 보여주고 변경할 수 있는 System Setup 프로그램. 이 프로그램에 대한 자세한 내용은 *하드웨어 소유자 설명서*에서 "System Setup 프로그램 사용"을 참조하십시오.
- System Setup 프로그램을 통해 시스템 암호, 설치 암호가 포함된 고급 보안 기능.
- 시스템 구성부품과 장치를 진단할 수 있는 시스템 진단 프로그램. 시스템 진단 프로그램에 대한 자세한 내용은 *하드웨어 소유자 설명서*에서 "시스템 진단 프로그램 실행"을 참조하십시오.
- 주요 응용프로그램을 고해상도 모드로 표시해주는 비디오 드라이버.
- 시스템 관리 소프트웨어 및 설명서 시스템 관리 소프트웨어는 각 개별 블레이드뿐만 아니라 서버 블레이드, 네트워크 스위치 모듈, 전원 공급 장치, 팬 등이 포함된 시스템 전체를 관리하고 감시하는 데 사용됩니다. 시스템 관리 소프트웨어는 네트워크를 통해 시스템을 로컬 또는 원격으로 관리합니다. 본 시스템과 함께 제공된 시스템 관리 소프트웨어를 사용하는 것이 좋습니다.
- 웹 호스팅, 캐싱 또는 로드 밸런싱용으로 고안된 솔루션 소프트웨어 옵션입니다. 자세한 내용은 솔루션 소프트웨어 설명서를 참조하십시오.

지원되는 운영 체제

- Microsoft® Windows Server™ 2003, Web, Standard 및 Enterprise (32-bit x86) Editions with SP2
- Microsoft Windows Server 2003, Standard, Enterprise 및 DataCenter (x64) Editions SP1, SP2
- Microsoft Windows Server 2003 R2 Standard 및 Enterprise (32-bit x86) Editions with SP2
- Microsoft Windows Server 2003 R2 Standard, Enterprise 및 DataCenter (x64) Editions SP1, SP2
- Microsoft Windows Server 2008, Standard Edition with SP1, SP2, DataCenter 및 EM64T
- Red Hat® Enterprise Linux® AS, ES 및 WS (version 4) 및 EM64T
- Red Hat Enterprise Linux AS 및 ES (version 4) (ia32)
- Red Hat Enterprise Linux AS 및 ES (version 5) (ia32)

- Red Hat Enterprise Linux Server AS, ES 및 WS (version 5) 및 EM64T
- SUSE® Linux Enterprise Server 9 (x86_64) with SP3 및 EM64T
- SUSE Linux Enterprise Server 10 (x86_64) 및 EM64T
- VMWare® ESX 3.1
- VMWare ESX 3.5

기타 필요한 정보

 **주의 :** 컴퓨터와 함께 제공된 안전 및 보증 정보를 참조하십시오. 보증 정보는 본 설명서에 포함되거나 별도의 설명서로 제공될 수 있습니다.

- 구성 설명서는 시스템 인클로저 및 블레이드 구성에 대해 설명합니다.
- 랙 솔루션과 함께 제공되는 랙 설치 안내서 또는 랙 설치 지침은 시스템을 랙에 설치하는 방법에 대해 설명합니다.
- 하드웨어 소유자 설명서에서는 시스템 기능에 대한 정보를 제공하고 시스템 문제 해결 방법 및 시스템 구성부품 설치 또는 교체 방법을 설명합니다. 이 설명서는 시스템과 함께 제공되는 CD에 수록되어 있거나 support.dell.com에서 다운로드할 수 있습니다.
- Dell 새시 관리 컨트롤러 사용 설명서는 시스템의 원격 관리 기능 사용에 대한 자세한 내용을 설명합니다.
- 시스템과 함께 제공된 CD 또는 DVD는 시스템 구성 및 관리에 사용되는 설명서 및 도구를 제공합니다.
- 시스템 관리 소프트웨어 설명서는 소프트웨어 기능, 요구사항, 설치 및 기본 작업을 설명합니다.
- 운영 체제 설명서에는 운영 체제 소프트웨어 설치(필요한 경우), 구성 및 사용 방법이 기술되어 있습니다.
- 별도로 구입한 구성부품의 설명서는 이러한 옵션을 구성하고 설치하는 방법에 대한 정보를 제공합니다.
- 시스템, 소프트웨어 또는 설명서의 변경사항이 포함된 업데이트가 시스템과 함께 제공되기도 합니다.



주: 업데이트는 종종 기타 설명서의 내용을 갱신하므로 항상 support.dell.com에서 업데이트를 확인하고 우선적으로 읽어봅니다.

- 발행 정보 또는 추가 정보 파일에는 시스템 또는 설명서에 대한 최신 업데이트나 전문가 또는 기술자를 위한 고급 기술 참조 자료가 수록될 수 있습니다.

기술 지원 얻기

본 설명서의 절차가 이해되지 않거나 시스템이 제대로 작동하지 않을 경우에는 *하드웨어 사용자 설명서*를 참조하십시오.

이제 Dell Enterprise Training and Certification을 이용할 수 있습니다. 자세한 내용은 dell.com/training을 방문하십시오. 지역에 따라 이 서비스가 제공되지 않을 수도 있습니다.

설치 및 구성

⚠ 주의 : 아래에 설명된 절차를 수행하기 전에 시스템과 함께 제공되는 안전 지침 및 중요한 규제 관련 정보를 읽고 준수하십시오. 추가 안전 모범 사례 정보는 www.dell.com/regulatory_compliance 를 참조하십시오.

이 절에서는 처음 시스템을 설정하는 절차를 설명합니다.

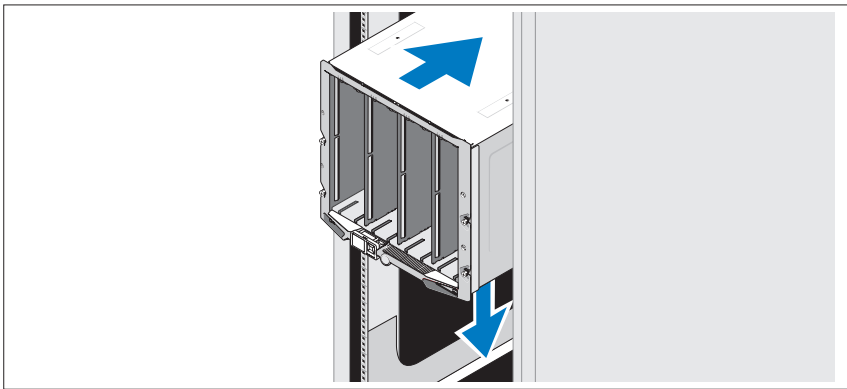
시스템 포장 풀기

시스템 포장을 제거하고 각 항목을 확인합니다. 모든 운송 포장재는 나중에 필요할 수 있으므로 보관하십시오.

랙에 시스템 설치

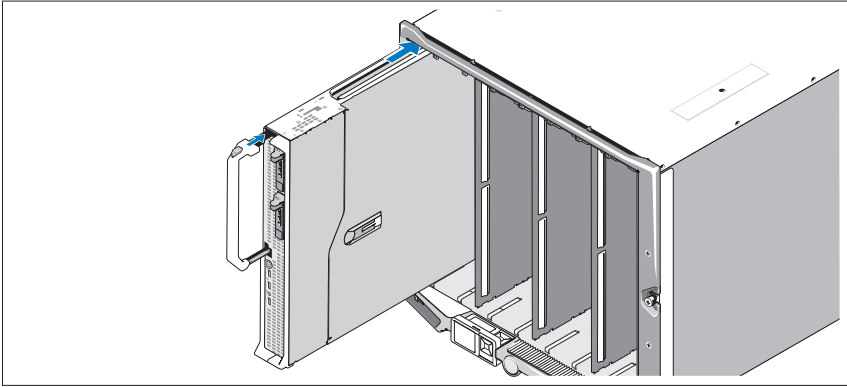
시스템의 랙 설치 안내서에 나와 있는 "안전 지침"을 읽은 후에 시스템을 랙에 설치합니다.

랙에 시스템을 설치하는 자세한 지침은 랙 설치 안내서를 참조하십시오. 전원 및 냉각 지침은 www.dell.com의 랙 용량 계획 도구를 참조하십시오.



블레이드 설치

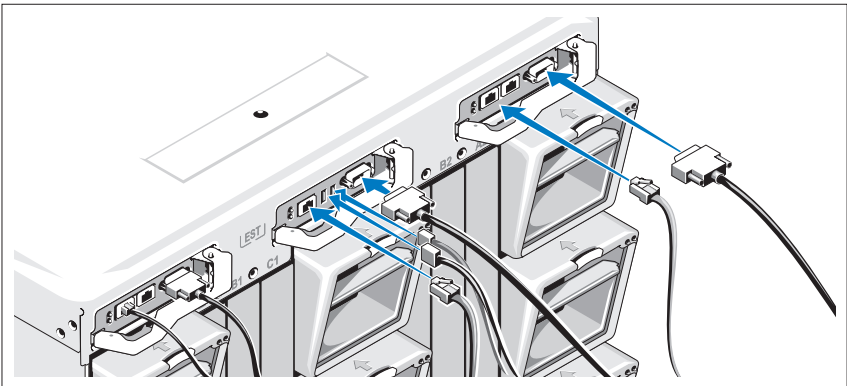
상단 시작 부분에서 모듈을 인클로저 좌우로 밀어 넣습니다. 블레이드가 단단하게 설치되면 손잡이가 닫힙니다.



CMC 및 KVM 모듈 연결

관리 시스템의 직렬 케이블과 네트워크 케이블을 CMC 모듈에 연결합니다. 두 번째 CMC 모듈 옵션을 설치할 경우 연결하십시오. (새시가 미리 설치된 M805 또는 M905 블레이드와 함께 제공될 경우 포함된 CMC 펌웨어 버전은 1.2 이상입니다.)

iKVM 모듈 옵션에 키보드, 마우스 및 모니터를 연결하십시오.

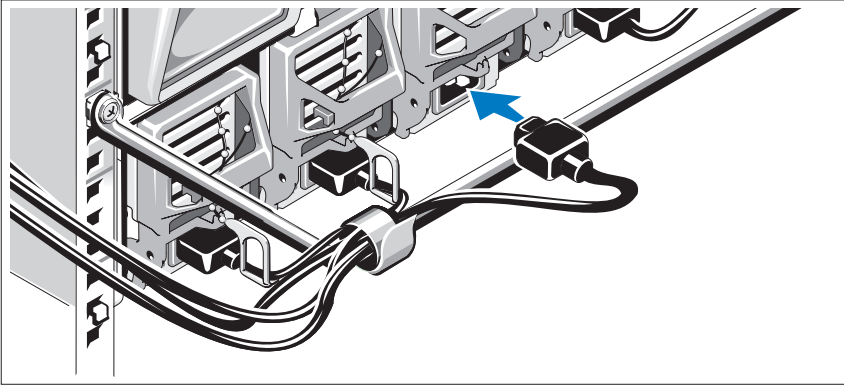


시스템 전원 연결

시스템의 전원 케이블을 시스템 전원 공급 장치에 연결합니다.

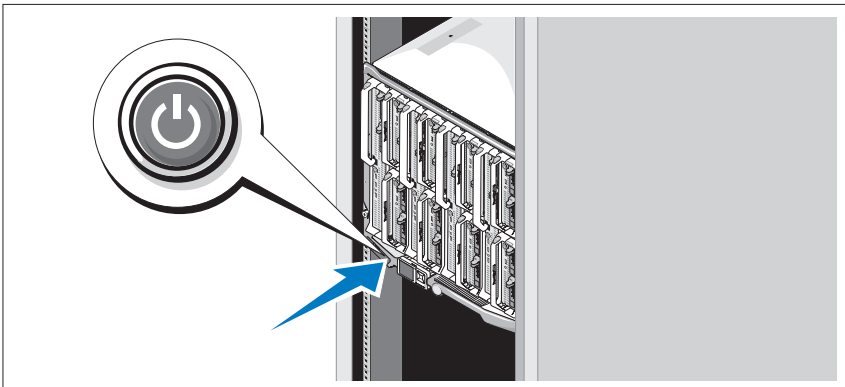
- ➡ **주의사항:** 전원 케이블이 실수로 분리되지 않도록 하려면 각 전원 공급 장치마다 플라스틱 클립을 사용하여 전원 공급 장치의 전원 케이블을 고정시키고 벨크로 스트랩을 사용하여 고정 완화 막대의 케이블을 고정시킵니다.

그런 다음, 전원 케이블의 반대쪽 끝을 UPS(Uninterruptible Power Supply) 또는 PDU(Power Distribution Unit)와 같은 별도의 전원에 연결합니다.



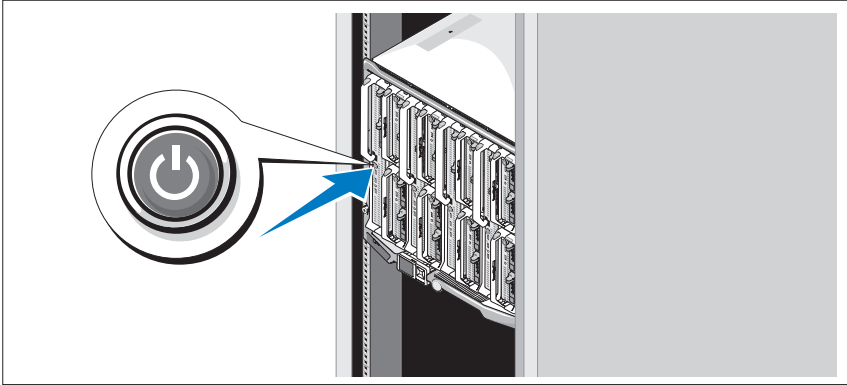
시스템 켜기

인클로저의 전원 단추를 누릅니다. 전원 표시등이 켜집니다.



블레이드 켜기

각 블레이드의 전원 단추를 누르거나 시스템 관리 소프트웨어를 사용하여 블레이드의 전원을 켭니다.



운영 체제 설치 완료

시스템 구입시 운영 체제가 미리 설치되어 있는 경우에는 시스템과 함께 제공되는 운영 체제 설명서를 참조하십시오. 운영 체제를 처음으로 설치하려면 빠른 설치 안내서를 참조하십시오. 시스템과 함께 구입하지 않은 하드웨어 또는 소프트웨어를 설치하기 전에 운영 체제가 설치되어 있는지 확인하십시오.

기술 사양

블레이드 사양

프로세서

프로세서 유형

PowerEdge M905	듀얼 코어 또는 쿼드 코어 AMD Opteron 8000 시리즈 프로세서 4개
PowerEdge M805	듀얼 코어 또는 쿼드 코어 AMD Opteron 2000 시리즈 프로세서 2개
PowerEdge M600	듀얼 코어 또는 쿼드 코어 Intel Xeon 프로세서 1개 또는 2개.
PowerEdge M605	듀얼 코어 또는 쿼드 코어 AMD Opteron 2000 시리즈 프로세서 1개 또는 2개

메모리

아키텍처

PowerEdge M600	정격 677MHz에서 작동하는 FBD 메모리 모듈
PowerEdge M905, M805, M605	정격 677MHz에서 작동하는 DDR2 메모리 모듈

메모리 모듈 소켓

PowerEdge M905	240핀 소켓 24개
PowerEdge M805	240핀 소켓 16개
PowerEdge M605, M600	240핀 소켓 8개

메모리 모듈 용량

512 MB(PowerEdge M605 및 M600),
1 GB, 2 GB, 4 GB 또는 8 GB

최소 RAM

프로세서당 메모리 모듈 2개

PowerEdge M905	8 GB(1-GB 메모리 모듈 8개)
PowerEdge M805	4 GB(1-GB 메모리 모듈 4개)
PowerEdge M600, M605	1 GB(512-MB 메모리 모듈 2개)

메모리 (계속)

최대 RAM

PowerEdge M905	192GB
PowerEdge M805	128 GB
PowerEdge M600, M605	64GB

드라이브

하드 드라이브

PowerEdge M805, M905	하나 또는 두 개의 2.5인치 SAS 하드 드라이브
PowerEdge M600, M605	
SATA 구성	하나 또는 두 개의 2.5인치 SATA 하드 드라이브
SAS 구성	하나 또는 두 개의 2.5인치 SAS 하드 드라이브

주: SAS 및 SATA 하드 드라이브는 M600 또는 M605 블레이드 내에서 혼합하여 사용할 수 없습니다.

커넥터

외장형

USB

PowerEdge M805, M905	4핀 USB 2.0 호환 3개
PowerEdge M600, M605	4핀 USB 2.0 호환 2개

내장형

SD 카드(PowerEdge M805, M905)	SD 카드 커넥터 1개
-----------------------------	--------------

Ethernet 컨트롤러

칩셋

PowerEdge M805, M905

통합형 듀얼 포트 Broadcom 5709S Ethernet 컨트롤러가 제공하는 TOE 및 iSCSI 부팅을 지원하는 Ethernet 포트 4개

PowerEdge M600, M605

통합형 Broadcom 5708S 컨트롤러가 제공하는 TOE 및 iSCSI 부팅을 지원하는 Ethernet 포트 2개

비디오 컨트롤러

비디오 유형

ATI RN50 비디오 컨트롤러

비디오 메모리

32MB

규격

PowerEdge M905, M805

높이

38.5cm(15.2인치)

너비

5cm(2인치)

깊이

48.6cm(19.2인치)

무게 (최대 구성시)

11.1kg(24.5lb)

PowerEdge M605, M600

높이

18.9cm(7.4인치)

너비

5cm(2인치)

깊이

48.6cm(19.2인치)

무게 (최대 구성시)

5.2-6.4kg(11.5-14.0lb)

전지

블레이드 전지

CR 2032 3.0V 리튬 이온 코인 셀

시스템 인클로저 사양

규격

높이	44.0cm(17.3인치)
너비	44.7 cm(17.6인치)
깊이	75.5cm(29.7인치)
무게(최대 구성시)	178.3kg(392.2lb)
무게(비어 있을 경우)	44.6kg(98.1lb)

전원 공급 장치 모듈

AC/DC 전원 공급 장치(전원 공급 장치마다)

와트	2360W
커넥터	NEMA C20 소켓
열 손실	1205BTU/hr. 최대
최대 유입 전류	일방적인 라인 상태나 전체 시스템의 작동 범위에서는 최대 유입 전류가 10ms 동안 전력 공급이 55 A에 달합니다.
시스템 전압 사양	200 - 240V, 16A, 3-Phase, 50 /60Hz 200 - 240V, 40.5A, 단상, 50 /60Hz

Avocent iKVM 모듈 옵션

후면 외부 접근 가능 커넥터

USB	키보드 및 마우스 지원용 4핀 USB 2.0 호환 커넥터 2개
ACI 포트	RJ-45
비디오	15핀 VGA

새시 관리 컨트롤러 모듈

외부 접근 가능 커넥터

원격 관리	통합형 원격 액세스 컨트롤러 전용 10/100/1000 Mb RJ-45 포트 2개.
직렬	9핀, DTE, 16550 호환
비디오	15핀 VGA
전지	CR 2032 3.0V 리튬 이온 코인 셀
SD 카드	FlexAddress 지원 전용 내장형 SD(Secure Digital) 플래시 카드 메모리 슬롯 1개.

인클로저 제어 패널

외부 접근 가능 커넥터

USB	
PowerEdge M905, M805	키보드 및 마우스 지원용 4핀 USB 2.0 호환 커넥터 3개
PowerEdge M605, M600	키보드 및 마우스 지원용 4핀 USB 2.0 호환 커넥터 2개
비디오	15핀 VGA
탐색 패널	
기능	커서 제어 키 4개, 선택 키 1개, LCD 화면

I/O 모듈 사양

PowerConnect M6220 Ethernet 스위치 모듈

외부 접근 가능 커넥터

10/100/1000Mbps Ethernet	자동 교섭 RJ-45 포트 4개
직렬	4핀 USB 2.0 type A 커넥터 1개. (DB9 어댑터에 제공된 USB type A를 사용하여 터미널에 연결)
모듈 옵션	옵션 베이 2개. 각 베이는 24-Gb 스택킹 포트 2개, 10-Gb CX4 동 업링크 2개 또는 10-Gb 광학 XFP 2개가 있는 모듈을 지원합니다.

Cisco M7000E Infiniband 스위치 모듈

외부 접근 가능 커넥터	DDR Infiniband 업링크 포트 8개
--------------	--------------------------

Gb Ethernet Pass-Through 모듈

외부 접근 가능 커넥터	RJ-45 Ethernet 포트 16개
--------------	-----------------------

Fibre Channel Pass-Through 모듈

외부 접근 가능 커넥터	
Fibre Channel 송수신기	1/2/4-Gbps FC 속도를 지원하는 외부 SFP 포트 16개

Brocade Fibre Channel 스위치 모듈

외부 접근 가능 커넥터

Fibre Channel	1/2/4-Gbps Fibre Channel 연결을 지원하는 물리적 FC 포트 8개(기본값으로 4개 활성화, 8개까지 업그레이드 가능)
직렬 포트	RJ-45

환경

주: 특정 시스템 구성을 위한 환경 자료에 대한 추가 정보는 dell.com/environmental_datasheets를 참조하십시오. 이 시스템은 사무실 환경에 적합하지 않습니다.

온도

작동	10° ~ 35° C(50° ~ 95° F) 주: 900m(2955ft) 이상의 높이에서 300m(985ft)당 1° C(1.8° F)로 최고 온도를 낮춥니다.
보관	-40° ~ 65° C(-40° ~ 149° F)

상대 습도

작동	8% ~ 85%(비응축), 시간당 최고 10%의 습도 변화
보관	5% ~ 95%(비응축)

환경 / 계속 /

최대 진동

작동	10 ~ 350Hz에서 15분 동안 0.26 Grms
보관	10 ~ 250Hz에서 15분 동안 1.54 Grms

최대 충격

작동	최대 2.6ms 동안 (+) z 축으로 31G의 충격 펄스 1번
보관	
PowerEdge M905, M805	최대 2ms 동안 (-) x, y 및 z 축으로 71G의 충격 펄스 6번
PowerEdge M605, M600	최대 2ms 동안 (-) x, y 및 z 축으로 71G의 충격 펄스 6번

고도

작동	-16 ~ 3,048 m(-50 ~ 10,000 ft)
보관	-16 ~ 10,600 m(-50 ~ 35,000 ft)